

INDEX

Through-hole LED

White LED.....	P1-5
Tower LED.....	P5-6
Round LED.....	P7-14
Cylindrical LED.....	P15-18
Rectangular LED.....	P19-21
Oval LED.....	P21-22
Super Flux LED.....	P22-23
Multi-Color LED.....	P24-27
Wing Lead LED.....	P28-30
Circuit Board Indicator LED.....	P31-37

Queendom Group Technology Co., Ltd.

No. 39, Wanjiang Section, Wanjiang Street, Dongguan Street, Guangdong, China.

Postcode 523800

<http://www.china66.net> E-mail: as@china66.net

Part Number	Chip Material	Emitting Color	λ_p (nm) / x	λ_d (nm) / y	Lens Color	VF (V)		IV (mcd)			Viewing Angle
						Typ.	Max.	IF=mA	Min.	Typ.	2θ 1/2

2x3mm Rectangular Flangeless White LED Lamps

	R234W304D-D	InGaN	Cool White	x=0.28	y=0.28	Water Clear	3.00	3.40	20	780	1300	130
	R234W304D-C	InGaN	Neutral White	x=0.33	y=0.32		3.00	3.40		780	1300	
	R234W304D-A	InGaN	Warm White	x=0.43	y=0.40		3.00	3.40		780	1300	

3mm Cylindrical With Flange White LED Lamps

	C3W304C-D	InGaN	Cool White	x=0.28	y=0.28	Water Clear	3.00	3.40	20	780	1300	100
	C3W304C-C	InGaN	Neutral White	x=0.33	y=0.32		3.00	3.40		780	1300	
	C3W304C-A	InGaN	Warm White	x=0.43	y=0.40		3.00	3.40		780	1300	


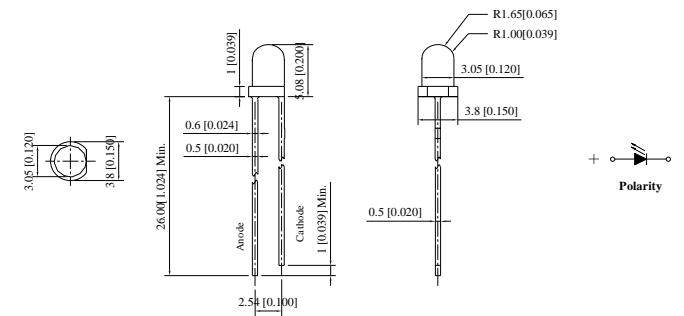
3mm Round Without Flange White LED Lamps

	B3W304D-D	InGaN	Cool White	x=0.28	y=0.28	Water Clear	3.00	3.40	20	5000	8500	30
	B3W304D-C	InGaN	Neutral White	x=0.33	y=0.32		3.00	3.40		5000	8500	
	B3W304D-A	InGaN	Warm White	x=0.43	y=0.40		3.00	3.40		5000	8500	


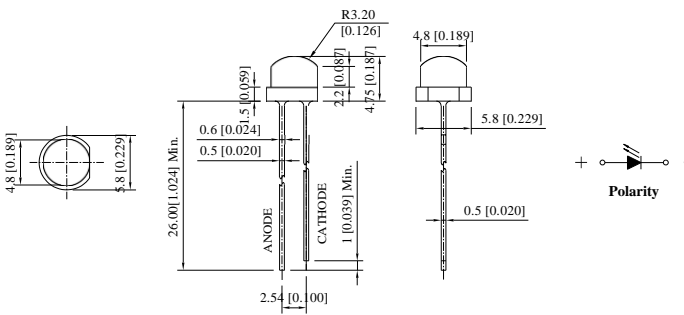
- All dimensions are in millimeters (inches).
- Tolerance is $\pm 0.25\text{mm}$ (.010") unless otherwise noted.
- Specifications are subject to change without notice.

Part Number	Chip Material	Emitting Color	λ_p (nm) / x	λ_d (nm) / y	Lens Color	VF (V)		IV (mcd)			Viewing Angle
						Typ.	Max.	IF=mA	Min.	Typ.	2θ 1/2


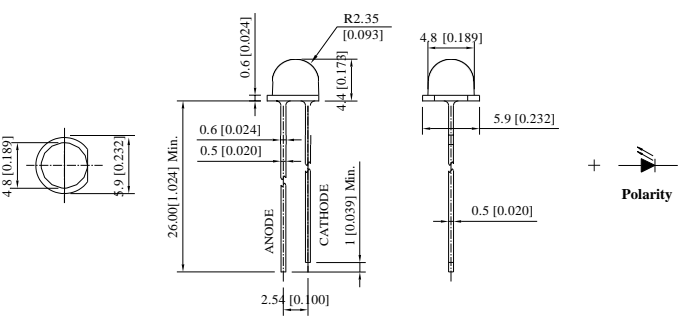
3mm Round Standard White LED Lamps

												
	B3W304C-D	InGaN	Cool White	x=0.28	y=0.28	Water Clear	3.00	3.40	20	5000	8500	30
	B3W304C-C	InGaN	Neutral White	x=0.33	y=0.32		3.00	3.40		5000	8500	
	B3W304C-A	InGaN	Warm White	x=0.43	y=0.40		3.00	3.40		5000	8500	

4.8mm Round Wide Viewing Angle White LED Lamps

												
	J5W304C-D	InGaN	Cool White	x=0.28	y=0.28	Water Clear	3.00	3.40	20	1300	2200	100
	J5W304C-C	InGaN	Neutral White	x=0.33	y=0.32		3.00	3.40		1300	2200	
	J5W304C-A	InGaN	Warm White	x=0.43	y=0.40		3.00	3.40		1300	2200	

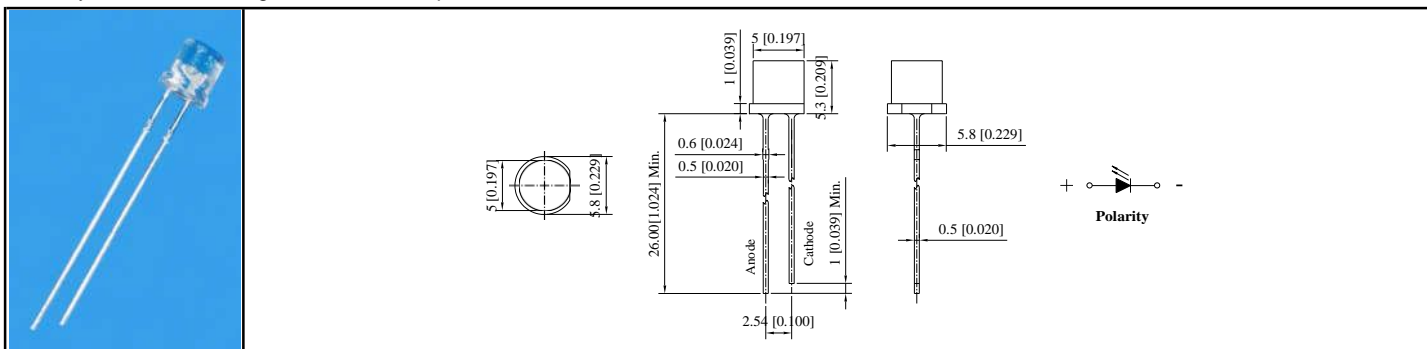
4.8mm Round Wide Viewing Angle White LED Lamps

												
	J5W304C-D-G	InGaN	Cool White	x=0.28	y=0.28	Water Clear	3.00	3.40	20	1300	2200	90
	J5W304C-C-G	InGaN	Neutral White	x=0.33	y=0.32		3.00	3.40		1300	2200	
	J5W304C-A-G	InGaN	Warm White	x=0.43	y=0.40		3.00	3.40		1300	2200	

- All dimensions are in millimeters (inches).
- Tolerance is $\pm 0.25\text{mm}$ (.010") unless otherwise noted.
- Specifications are subject to change without notice.

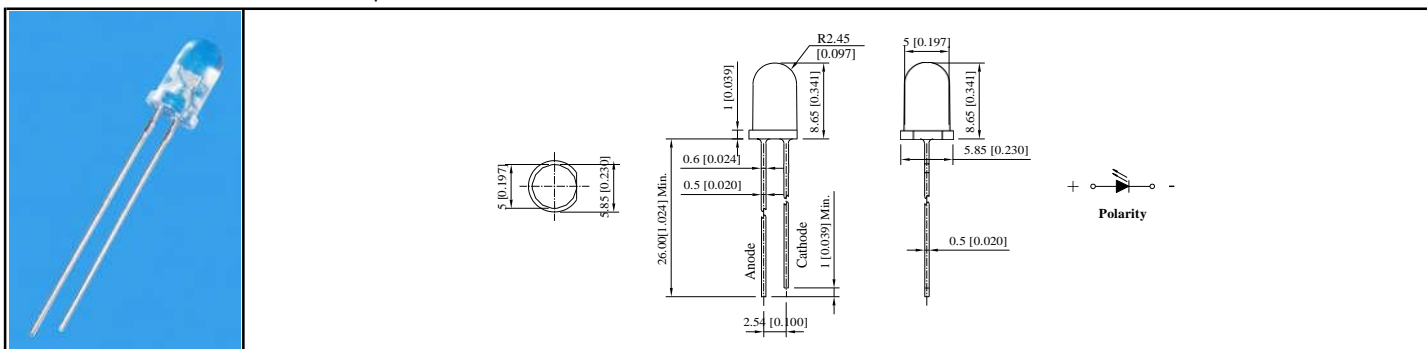
Part Number	Chip Material	Emitting Color	λ_p (nm) / x	λ_d (nm) / y	Lens Color	VF (V)		IV (mcd)			Viewing Angle
						Typ.	Max.	IF=mA	Min.	Typ.	2θ 1/2

5mm Cylindrical With Flange White LED Lamps



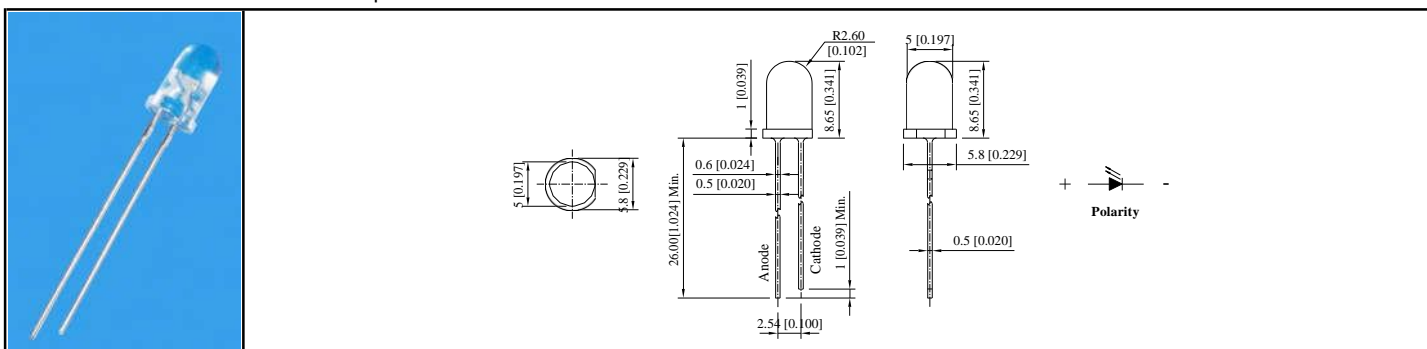
C5W304C-D	InGaN	Cool White	x=0.28	y=0.28	Water Clear	3.00	3.40	20	1000	1700	100
C5W304C-C	InGaN	Neutral White	x=0.33	y=0.32		3.00	3.40		1000	1700	
C5W304C-A	InGaN	Warm White	x=0.43	y=0.40		3.00	3.40		1000	1700	

5mm Round Standard White LED Lamps



B5W304C -D-L	InGaN	Cool White	x=0.28	y=0.28	Water Clear	3.00	3.40	20	14000	23000	15
B5W304C-C-L	InGaN	Neutral White	x=0.33	y=0.32		3.00	3.40		14000	23000	
B5W304C-A-L	InGaN	Warm White	x=0.43	y=0.40		3.00	3.40		14000	23000	

5mm Round Standard White LED Lamps

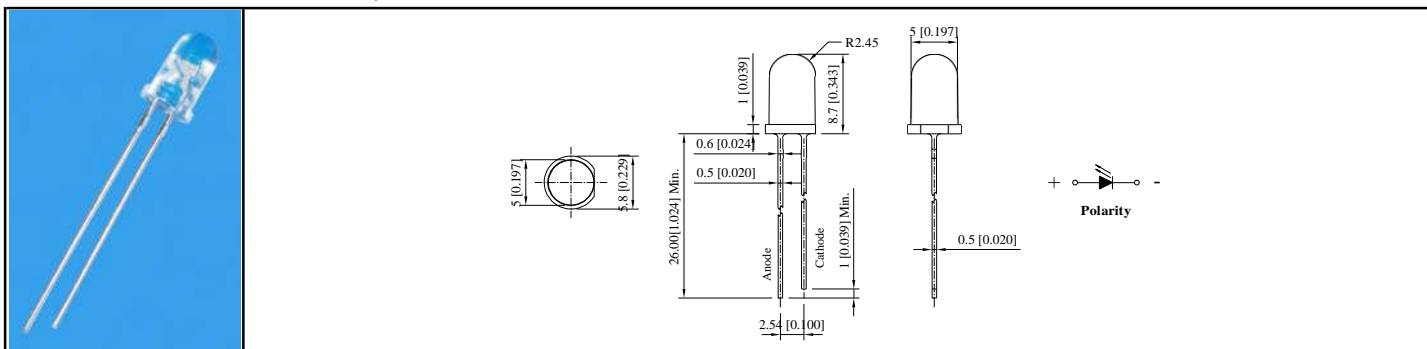


B5W304C-D	InGaN	Cool White	x=0.28	y=0.28	Water Clear	3.00	3.40	20	5000	8500	30
B5W304C-C	InGaN	Neutral White	x=0.33	y=0.32		3.00	3.40		5000	8500	
B5W304C-A	InGaN	Warm White	x=0.43	y=0.40		3.00	3.40		5000	8500	

1. All dimensions are in millimeters (inches).
2. Tolerance is $\pm 0.25\text{mm}$ (.010") unless otherwise noted.
3. Specifications are subject to change without notice.

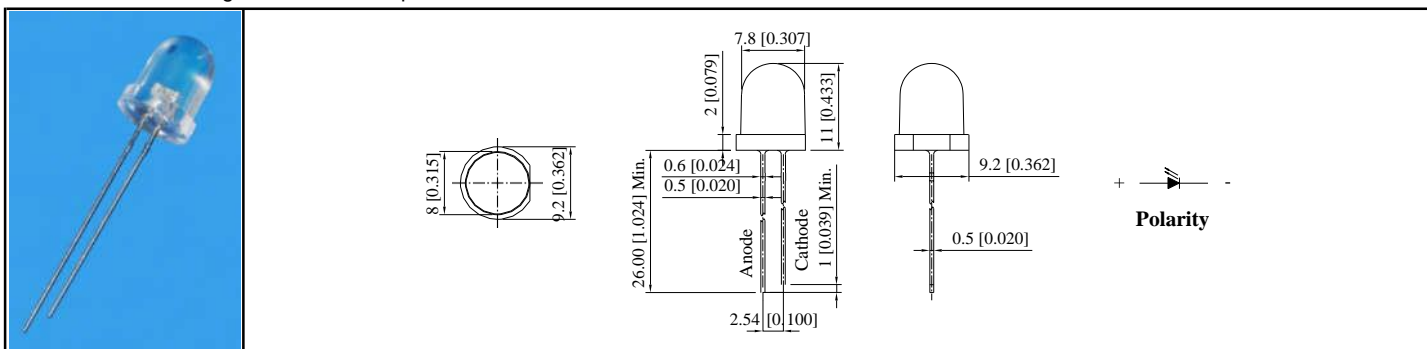
Part Number	Chip Material	Emitting Color	λ_p (nm) / x	λ_d (nm) / y	Lens Color	VF (V)		IV (mcd)			Viewing Angle
						Typ.	Max.	IF=mA	Min.	Typ.	2 θ 1/2

5mm Round Standard White LED Lamps



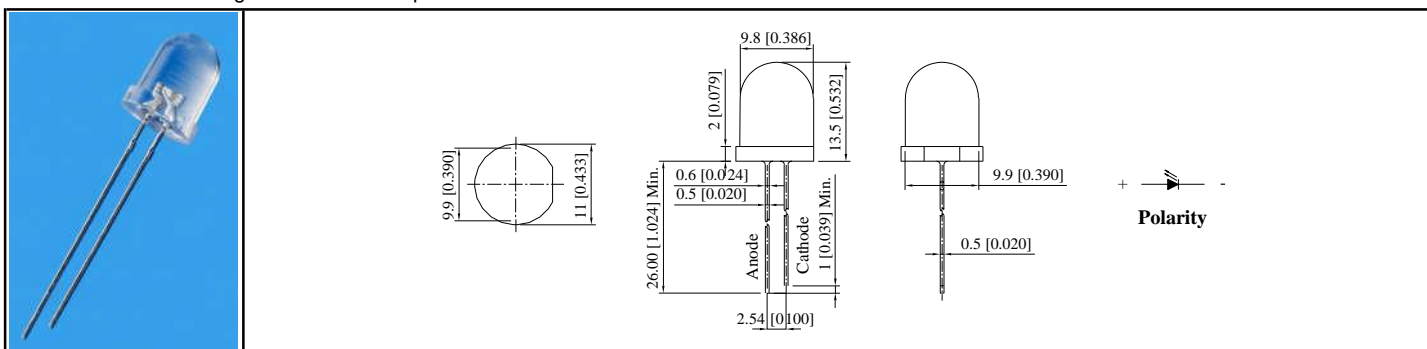
B5W304C-D-D	InGaN	Cool White	x=0.28	y=0.28	Water Clear	3.00	3.40	20	2900	5000	60
B5W304C-C-D	InGaN	Neutral White	x=0.33	y=0.32		3.00	3.40		2900	5000	
B5W304C-A-D	InGaN	Warm White	x=0.43	y=0.40		3.00	3.40		2900	5000	

8mm Round With Flange White LED Lamps



B8W304C-D	InGaN	Cool White	x=0.28	y=0.28	Water Clear	3.00	3.40	20	5000	8500	30
B8W304C-C	InGaN	Neutral White	x=0.33	y=0.32		3.00	3.40		5000	8500	
B8W304C-A	InGaN	Warm White	x=0.43	y=0.40		3.00	3.40		5000	8500	

10mm Round With Flange White LED Lamps


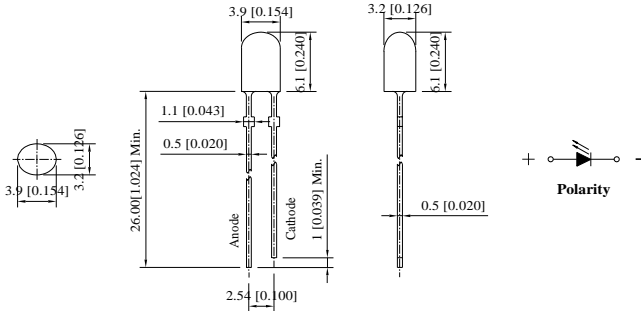


B10W304C-D	InGaN	Cool White	x=0.28	y=0.28	Water Clear	3.00	3.40	20	14000	23000	15
B10W304C-C	InGaN	Neutral White	x=0.33	y=0.32		3.00	3.40		14000	23000	
B10W304C-A	InGaN	Warm White	x=0.43	y=0.40		3.00	3.40		14000	23000	


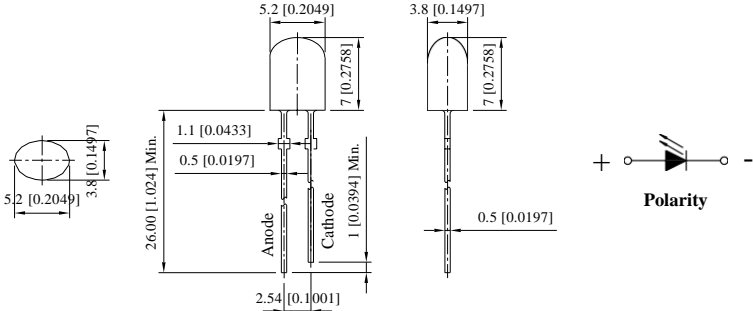
1. All dimensions are in millimeters (inches).
2. Tolerance is $\pm 0.25\text{mm}$ (.010") unless otherwise noted.
3. Specifications are subject to change without notice.

Part Number	Chip Material	Emitting Color	λ_p (nm) / x	λ_d (nm) / y	Lens Color	VF (V)		IV (mcd)			Viewing Angle
						Typ.	Max.	IF=mA	Min.	Typ.	2 θ 1/2


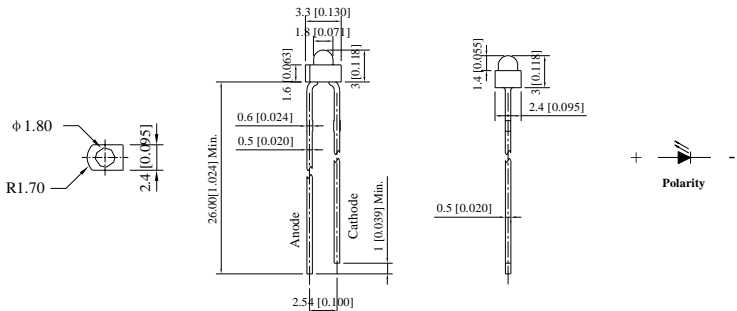
3.9x3.2mm Oval White LED Lamps

											
	W346W304C	InGaN	Cool White	x=0.28	y=0.28	Water Clear	3.00	3.40	20	2900	4500
W346W204C	InGaN	Cool White	x=0.28	y=0.28	White Diffused	3.00	3.40	2200		3800	

5.2x3.8mm Oval White LED Lamps

											
	W546W304C	InGaN	Cool White	x=0.28	y=0.28	Water Clear	3.00	3.40	20	3800	6500
W546W204C	InGaN	Cool White	x=0.28	y=0.28	White Diffused	3.00	3.40	2200		3800	


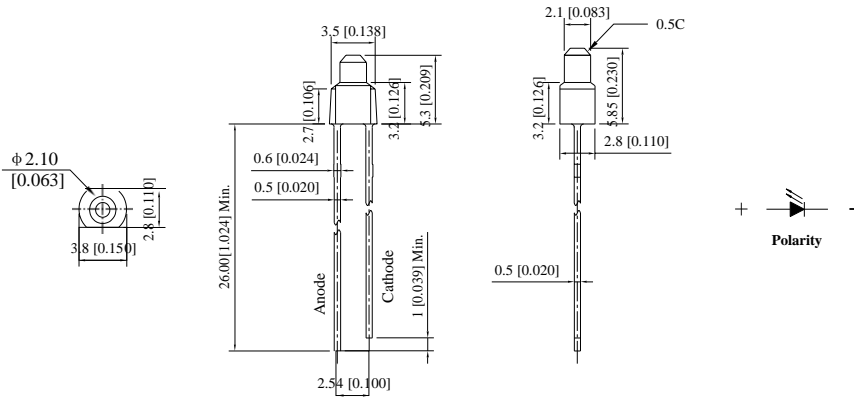
2mm Tower Type LED Lamps

												
	N2R104C	AlGaInP	Super Bright Red	632	624	Red Diffused	2.00	2.40	20	460	600	60
	N2O104C	AlGaInP	Super Bright Orange	610	605	Orange Diffused	2.00	2.40		210	350	
	N2Y104C	AlGaInP	Super Bright Yellow	592	590	Yellow Diffused	2.00	2.40		160	270	
	N2YG104C	AlGaInP/GaAs	Super Yellow Green	573	571	Green Diffused	2.00	2.40		90	160	
	N2G104C	InGaN	Pure Green	520	525	Green Diffused	3.20	3.60		1300	2200	
	N2B104C	InGaN	Blue	468	470	Blue Diffused	3.20	3.60		460	780	


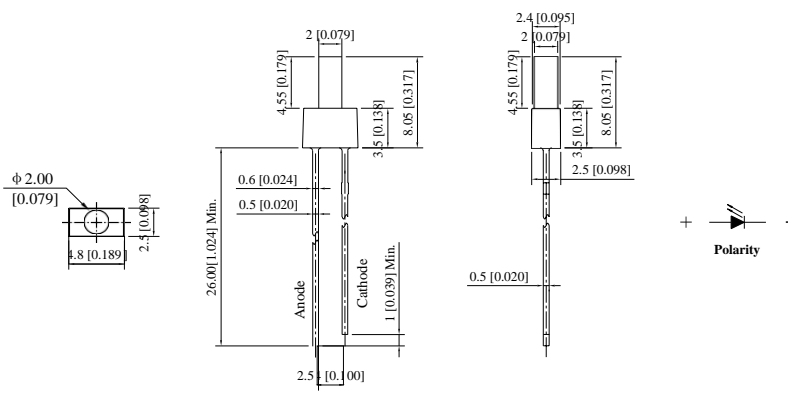
- All dimensions are in millimeters (inches).
- Tolerance is $\pm 0.25\text{mm}$ (.010") unless otherwise noted.
- Specifications are subject to change without notice.

Part Number	Chip Material	Emitting Color	λ_p (nm) / x	λ_d (nm) / y	Lens Color	VF (V)		IV (mcd)			Viewing Angle
						Typ.	Max.	IF=mA	Min.	Typ.	2 θ 1/2

2mm Tower Type LED Lamps

											
	N2204RD2L-1B	AlGaInP	Super Bright Red	632	624	Red Diffused	2.00	2.40	20	70	120
N204AD2L-1B	AlGaInP	Super Bright Orange	610	605	Orange Diffused	2.00	2.40	45		90	
N204YD2L-1B	AlGaInP	Super Bright Yellow	592	590	Yellow Diffused	2.00	2.40	30		70	
N204GD2L-1B	AlGaInP/GaAs	Super Yellow Green	573	571	Green Diffused	2.00	2.40	13		30	
N204PGD2L-G5-2B	InGaN	Pure Green	520	525	Green Diffused	3.20	3.60	460		780	120
	InGaN	Blue	468	470	Blue Diffused	3.20	3.60	120	210		


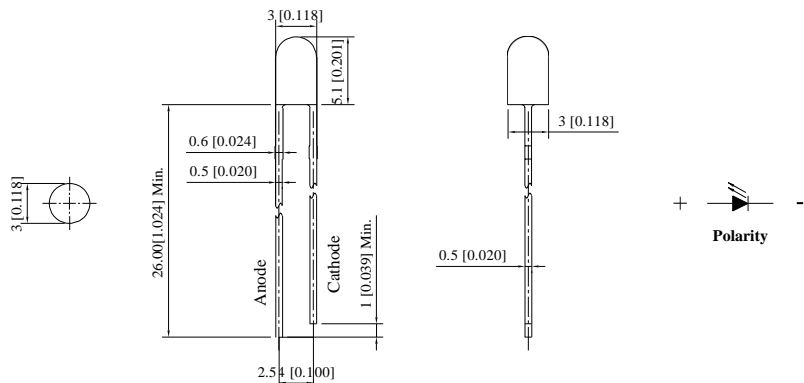
2mm Tower Type LED Lamps

											
	N204VD1F-1B	AlGaInP	Super Bright Red	632	624	Red Diffused	2.00	2.40	20	30	70
N204AD1F-1B	AlGaInP	Super Bright Orange	610	605	Orange Diffused	2.00	2.40	20		45	
N204YD1F-1B	AlGaInP	Super Bright Yellow	592	590	Yellow Diffused	2.00	2.40	20		45	
N204GD1F-1B	AlGaInP/GaAs	Super Yellow Green	573	571	Green Diffused	2.00	2.40	13		30	
N204PGD1F-G5-2B	InGaN	Pure Green	520	525	Green Diffused	3.20	3.60	460		780	
N204BD1F-B4-2B	InGaN	Blue	468	470	Blue Diffused	3.20	3.60	160		270	


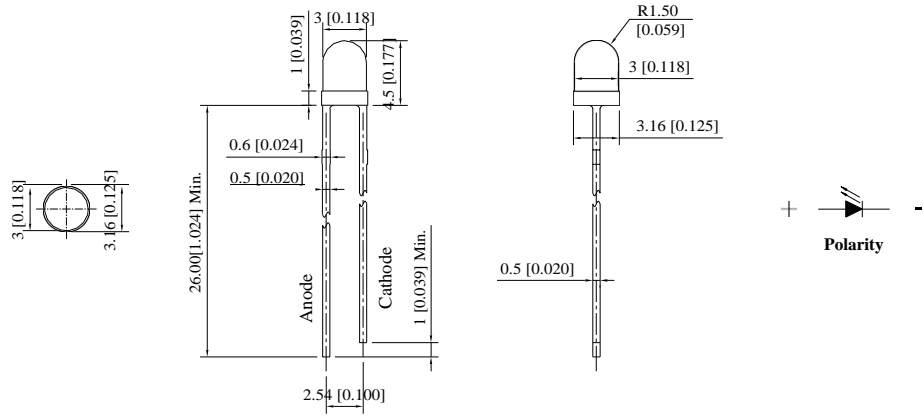
1. All dimensions are in millimeters (inches).
2. Tolerance is $\pm 0.25\text{mm}$ (.010") unless otherwise noted.
3. Specifications are subject to change without notice.

Part Number	Chip Material	Emitting Color	λ_p (nm) / x	λ_d (nm) / y	Lens Color	VF (V)		IV (mcd)			Viewing Angle
						Typ.	Max.	IF=mA	Min.	Typ.	2 θ 1/2

3mm Round Without Flange Type LED Lamps

												
	B3R104D	AlGaInP	Super Bright Red	632	624	Red Diffused	2.00	2.40	20	350	600	60
	B3O104D	AlGaInP	Super Bright Orange	610	605	Orange Diffused	2.00	2.40		160	270	
	B3Y104D	AlGaInP	Super Bright Yellow	592	590	Yellow Diffused	2.00	2.40		160	270	
	B3YG104D	AlGaInP/GaAs	Super Yellow Green	573	571	Green Diffused	2.00	2.40		90	160	
	B3G104D	InGaN	Pure Green	520	525	Green Diffused	3.20	3.60		2200	3800	
	B3B104D	InGaN	Blue	468	470	Blue Diffused	3.20	3.60		600	1000	

3mm Round Standard With Flange LED Lamps, T-1

												
	B3R104C	AlGaInP	Super Bright Red	632	624	Red Diffused	2.00	2.40	20	160	270	80
	B3O104C	AlGaInP	Super Bright Orange	610	605	Orange Diffused	2.00	2.40		90	160	
	B3Y104C	AlGaInP	Super Bright Yellow	592	590	Yellow Diffused	2.00	2.40		90	160	
	B3YG104C	AlGaInP/GaAs	Super Yellow Green	573	571	Green Diffused	2.00	2.40		90	160	
	B3G104C	InGaN	Pure Green	520	525	Green Diffused	3.20	3.60		3800	6500	
	B3B104C	InGaN	Blue	468	470	Blue Diffused	3.20	3.60		460	780	

1. All dimensions are in millimeters (inches).
2. Tolerance is $\pm 0.25\text{mm}$ (.010") unless otherwise noted.
3. Specifications are subject to change without notice.

Part Number	Chip Material	Emitting Color	λ_p (nm) / x	λ_d (nm) / y	Lens Color	VF (V)		IV (mcd)			Viewing Angle
						Typ.	Max.	IF=mA	Min.	Typ.	2θ 1/2

3mm Round Standard With Flange LED Lamps, T-1

	B3R104C	AlGaInP	Super Bright Red	632	624	Red Diffused	2.00	2.40	20	270	460	60
	B3O104C	AlGaInP	Super Bright Orange	610	605	Orange Diffused	2.00	2.40		270	460	
	B3Y104C	AlGaInP	Super Bright Yellow	592	590	Yellow Diffused	2.00	2.40		210	350	
	B3YG104C	AlGaInP/GaAs	Super Yellow Green	573	571	Green Diffused	2.00	2.40		70	120	
	B3G104C	InGaN	Pure Green	520	525	Green Diffused	3.20	3.60		2900	5000	
	B3B104C	InGaN	Blue	468	470	Blue Diffused	3.20	3.60		780	1300	

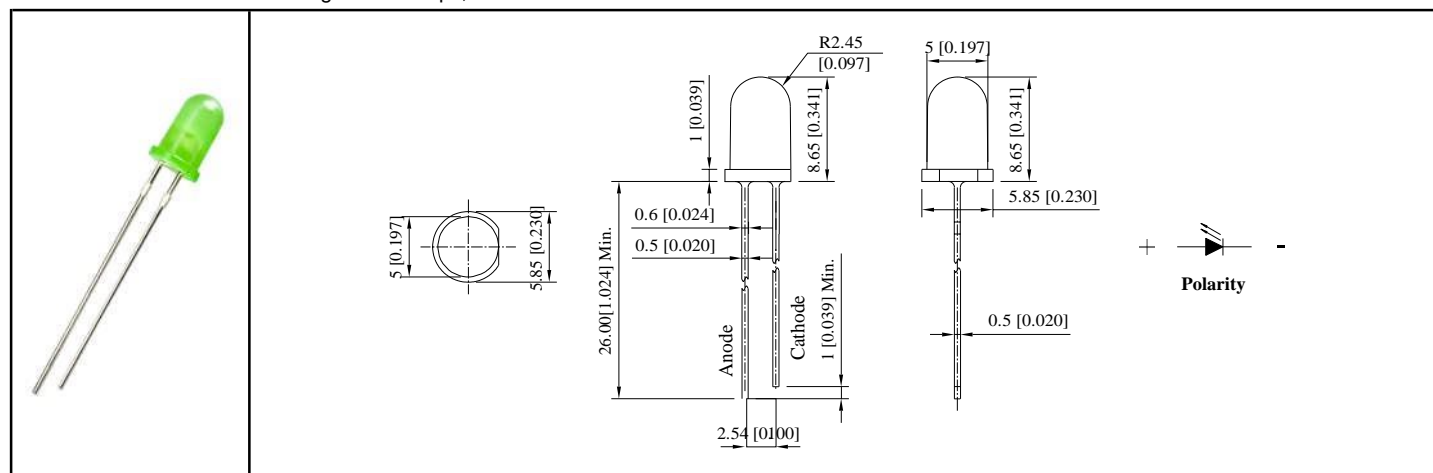
3mm Round Standard With Flange LED Lamps, T-1

	B3R104CTL38/36	AlGaInP	Super Bright Red	632	624	Red Diffused	2.00	2.40	20	270	460	60
	B3O104CTL38/36	AlGaInP	Super Bright Orange	610	605	Orange Diffused	2.00	2.40		270	460	
	B3Y104CTL38/36	AlGaInP	Super Bright Yellow	592	590	Yellow Diffused	2.00	2.40		210	350	
	B3G104CTL38/36	AlGaInP/GaAs	Super Yellow Green	573	571	Green Diffused	2.00	2.40		70	120	

- All dimensions are in millimeters (inches).
- Tolerance is $\pm 0.25\text{mm}$ (.010") unless otherwise noted.
- Specifications are subject to change without notice.

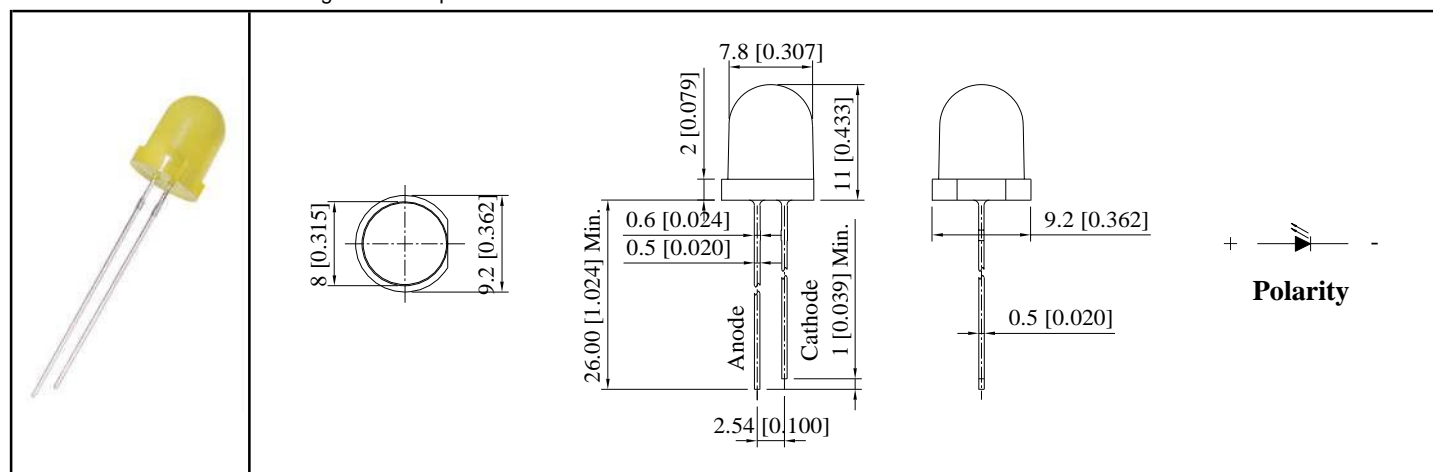
Part Number	Chip Material	Emitting Color	λ_p (nm) / x	λ_d (nm) / y	Lens Color	VF (V)		IV (mcd)			Viewing Angle
						Typ.	Max.	IF=mA	Min.	Typ.	2θ 1/2

5mm Round Standard With Flange LED Lamps, T-1 3/4



B5R104C	AlGaInP	Super Bright Red	632	624	Red Diffused	2.00	2.40	20	210	350	60
B5O104C	AlGaInP	Super Bright Orange	610	605	Orange Diffused	2.00	2.40		70	120	
B5Y104C	AlGaInP	Super Bright Yellow	592	590	Yellow Diffused	2.00	2.40		120	210	
B5YG104C	AlGaInP/GaAs	Super Yellow Green	573	571	Green Diffused	2.00	2.40		30	70	
B5G104C	InGaN	Pure Green	520	525	Green Diffused	3.20	3.60		1300	2900	
B5B104C	InGaN	Blue	468	470	Blue Diffused	3.20	3.60		350	600	

8mm Round Standard With Flange LED Lamps



B8R104C	AlGaInP	Super Bright Red	632	624	Red Diffused	2.00	2.40	20	160	270	60
B8R104C	AlGaInP	Super Bright Red	632	624	Red Diffused	2.00	2.40		460	780	
B8O104C	AlGaInP	Super Bright Orange	610	605	Orange Diffused	2.00	2.40		160	270	
B8O104C	AlGaInP	Super Bright Orange	610	605	Orange Diffused	2.00	2.40		780	1300	
B8Y104C	AlGaInP	Super Bright Yellow	592	590	Yellow Diffused	2.00	2.40		210	350	
B8Y104C	AlGaInP	Super Bright Yellow	592	590	Yellow Diffused	2.00	2.40		600	1000	
B8YG104C	AlGaInP/GaAs	Super Yellow Green	573	571	Green Diffused	2.00	2.40		45	90	
B8G104C	InGaN	Pure Green	520	525	Green Diffused	3.20	3.60		2900	5000	
B8B104C	InGaN	Blue	468	470	Blue Diffused	3.20	3.60		460	780	


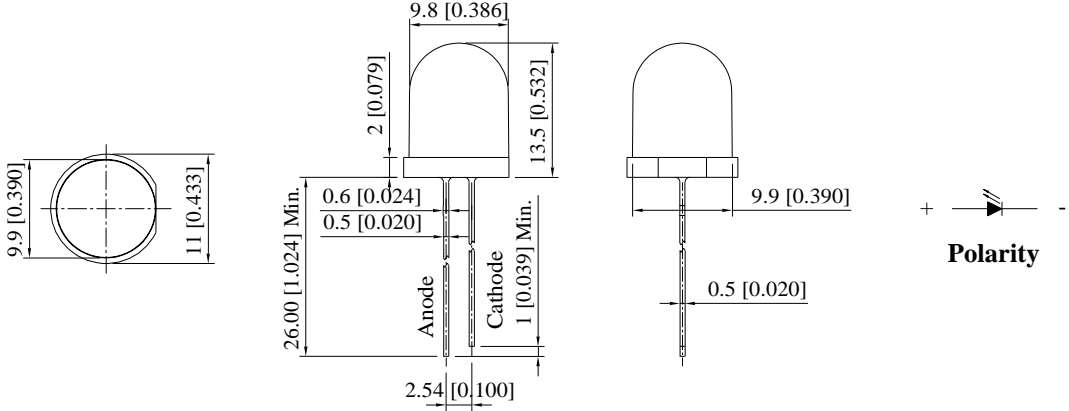
1. All dimensions are in millimeters (inches).

2. Tolerance is $\pm 0.25\text{mm}$ (.010") unless otherwise noted.


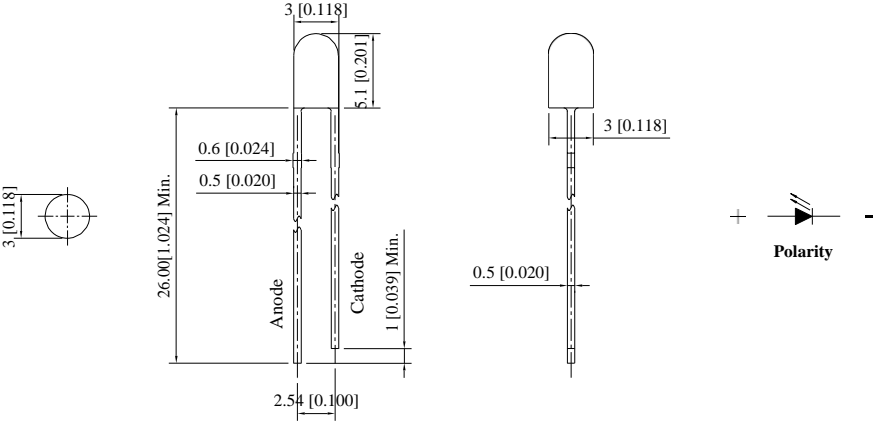
3. Specifications are subject to change without notice.

Part Number	Chip Material	Emitting Color	λ_p (nm) / x	λ_d (nm) / y	Lens Color	VF (V)		IV (mcd)			Viewing Angle
						Typ.	Max.	IF=mA	Min.	Typ.	2 θ 1/2

10mm Round Standard With Flange LED Lamps

												
	B10R104C	AlGaInP	Super Bright Red	632	624	Red Diffused	2.00	2.40	20	160	270	60
	B10O104C	AlGaInP	Super Bright Orange	610	605	Orange Diffused	2.00	2.40		120	210	
	B10Y104C	AlGaInP	Super Bright Yellow	592	590	Yellow Diffused	2.00	2.40		120	210	
	B10YG104C	AlGaInP/GaAs	Super Yellow Green	573	571	Green Diffused	2.00	2.40		20	45	
	B10G104C	InGaN	Pure Green	520	525	Green Diffused	3.20	3.60		1700	2900	
	B10B104C	InGaN	Blue	468	470	Blue Diffused	3.20	3.60		210	350	

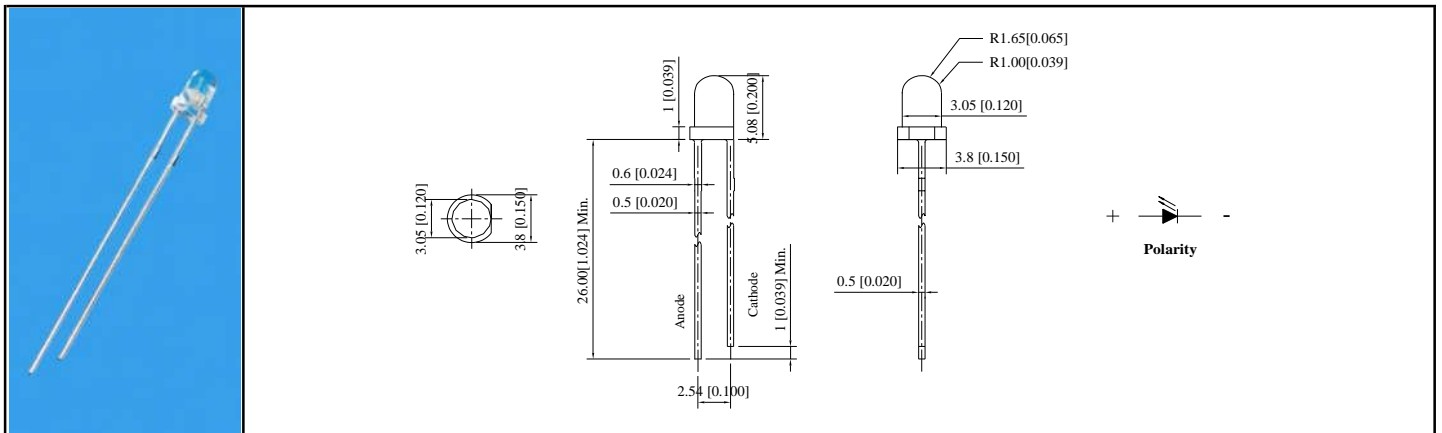
3mm Round Without Flange Super Bright LED Lamps

												
	B3R304D	AlGaInP	Super Bright Red	632	624	Water Clear	2.00	2.40	20	600	1000	30
	B3R304D	AlGaInP	Super Bright Red	632	624		2.00	2.40		1700	2900	
	B3O304D	AlGaInP	Super Bright Orange	610	605		2.00	2.40		1000	1700	
	B3Y304D	AlGaInP	Super Bright Yellow	592	590		2.00	2.40		600	1000	
	B3Y304D	AlGaInP	Super Bright Yellow	592	590		2.00	2.40		1300	2200	
	B3G304D	InGaN	Pure Green	520	525		3.20	3.60		11000	18000	
B3B304D	InGaN	Blue	468	470	3.20	3.60	2900	5000	25			

1. All dimensions are in millimeters (inches).
2. Tolerance is $\pm 0.25\text{mm}$ (.010") unless otherwise noted.
3. Specifications are subject to change without notice.

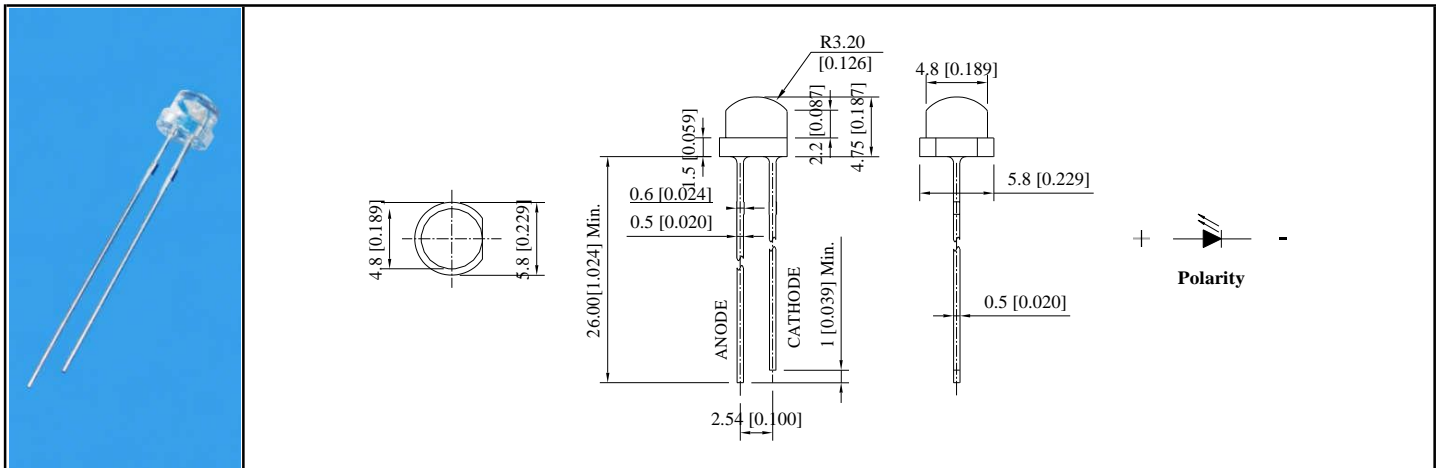
Part Number	Chip Material	Emitting Color	λ_p (nm) / x	λ_d (nm) / y	Lens Color	VF (V)		IV (mcd)			Viewing Angle
						Typ.	Max.	IF=mA	Min.	Typ.	2 θ 1/2

3mm Round Standard With Flange Super Bright LED Lamps, T-1



B3R304C	AlGaInP	Super Bright Red	632	624	Water Clear	2.00	2.40	20	600	1000	30
B3R304C	AlGaInP	Super Bright Red	632	624		2.00	2.40		1300	2200	
B3O304C	AlGaInP	Super Bright Orange	610	605		2.00	2.40		600	1000	
B3O304C	AlGaInP	Super Bright Orange	610	605		2.00	2.40		2200	3800	
B3Y304C	AlGaInP	Super Bright Yellow	592	590		2.00	2.40		600	1000	
B3Y304C	AlGaInP	Super Bright Yellow	592	590		2.00	2.40		1700	2900	
B3YG304C	AlGaInP/GaAs	Super Yellow Green	573	571		2.00	2.40		160	270	
B3G304C	InGaIn	Pure Green	520	525		3.20	3.60		11000	18000	
B3B304C	InGaIn	Blue	468	470		3.20	3.60		2200	3800	
B3V304C	InGaIn	UV	395	/		3.20	4.00		45	90	
B3V304C	InGaIn	UV	400	/	3.20	4.00	45	90	25		

4.80mm Round Wide Viewing Angle Type LED Lamps

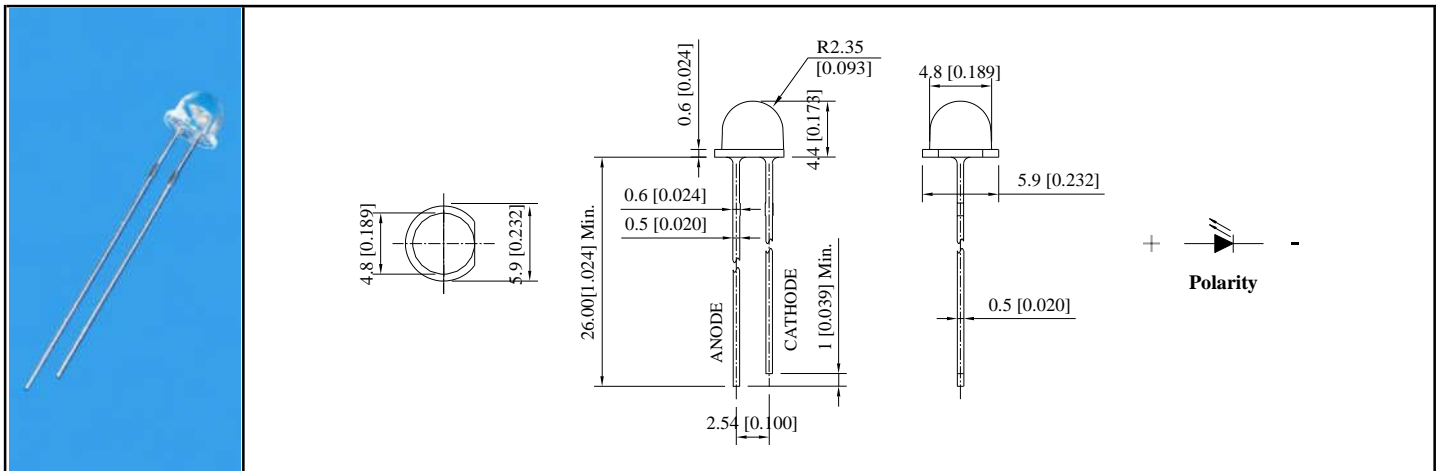


J5R304C	AlGaInP	Super Bright Red	632	624	Water Clear	2.00	2.40	20	160	270	100	
J5R304C	AlGaInP	Super Bright Red	632	624		2.00	2.40		600	1000		
J5O304C	AlGaInP	Super Bright Orange	610	605		2.00	2.40		160	270		
J5O304C	AlGaInP	Super Bright Orange	610	605		2.00	2.40		600	1000		
J5Y304C	AlGaInP	Super Bright Yellow	592	590		2.00	2.40		210	350		
J5Y304C	AlGaInP	Super Bright Yellow	592	590		2.00	2.40		350	600		
J5G304C	InGaIn	Pure Green	520	525		3.20	3.60		2900	5000		
J5B304C	InGaIn	Blue	468	470		3.20	3.60		600	1000		80

1. All dimensions are in millimeters (inches).
2. Tolerance is $\pm 0.25\text{mm}$ (.010") unless otherwise noted.
3. Specifications are subject to change without notice.

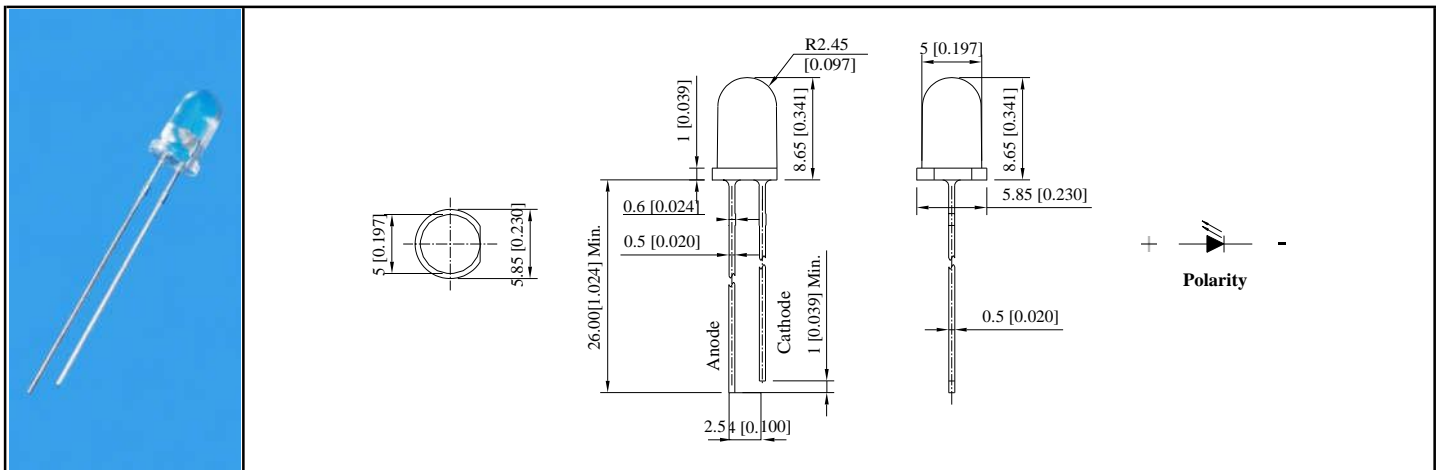
Part Number	Chip Material	Emitting Color	λ_p (nm) / x	λ_d (nm) / y	Lens Color	VF (V)		IV (mcd)			Viewing Angle
						Typ.	Max.	IF=mA	Min.	Typ.	2θ 1/2

4.80mm Round Wide Viewing Angle Type LED Lamps



J5R304C-G	AlGaInP	Super Bright Red	632	624	Water Clear	2.00	2.40	20	270	460	100
J5R304C-G	AlGaInP	Super Bright Red	632	624		2.00	2.40		1000	1700	
J5O304C-G	AlGaInP	Super Bright Orange	610	605		2.00	2.40		270	460	
J5O304C-G	AlGaInP	Super Bright Orange	610	605		2.00	2.40		600	1000	
J5Y304C-G	AlGaInP	Super Bright Yellow	592	590		2.00	2.40		270	460	
J5Y304C-G	AlGaInP	Super Bright Yellow	592	590		2.00	2.40		460	780	
J5G304C-G	InGaN	Pure Green	520	525		3.20	3.60		3800	6500	60
J5B304C-G	InGaN	Blue	468	470		3.20	3.60		780	1300	

5mm Round Standard With Flange Super Bright LED Lamps, 15°, T-1 3/4



B5R304C	AlGaInP	Super Bright Red	632	624	Water Clear	2.00	2.40	20	2900	5000	15
B5R304C	AlGaInP	Super Bright Red	632	624		2.00	2.40		8500	14000	
B5O304C	AlGaInP	Super Bright Orange	610	605		2.00	2.40		1700	2900	
B5O304C	AlGaInP	Super Bright Orange	610	605		2.00	2.40		6500	11000	
B5Y304C	AlGaInP	Super Bright Yellow	592	590		2.00	2.40		2900	5000	
B5Y304C	AlGaInP	Super Bright Yellow	592	590		2.00	2.40		8500	14000	
B5G304C	InGaN	Pure Green	520	525		3.20	3.60		23000	39000	
B5B304C	InGaN	Blue	468	470		3.20	3.60		6500	11000	
B5V304C	InGaN	UV	395	/	3.20	4.00	270	350			
B5V304C	InGaN	UV	400	/	3.20	4.00	270	350			

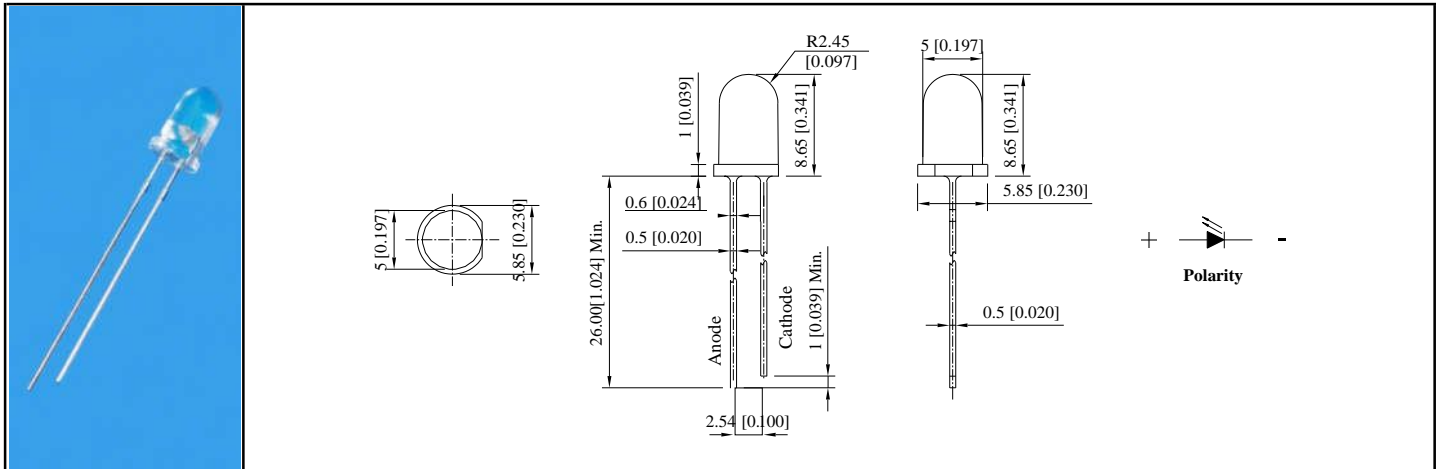
1. All dimensions are in millimeters (inches).

2. Tolerance is ± 0.25 mm (.010") unless otherwise noted.

3. Specifications are subject to change without notice.

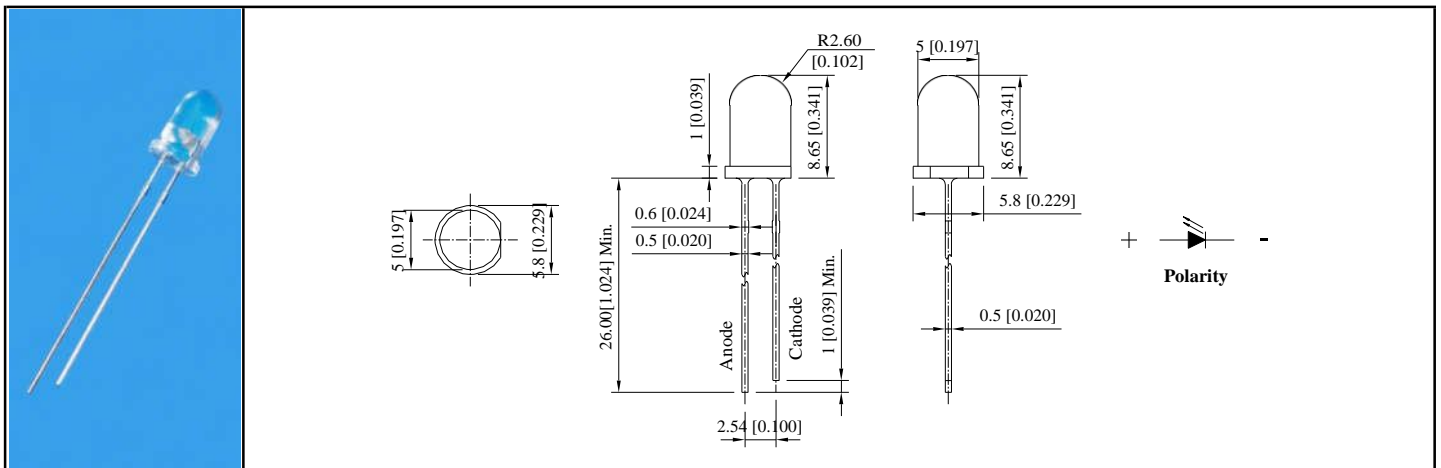
Part Number	Chip Material	Emitting Color	λ_p (nm) / x	λ_d (nm) / y	Lens Color	VF (V)		IV (mcd)			Viewing Angle
						Typ.	Max.	IF=mA	Min.	Typ.	2θ 1/2

5mm Round Standard With Flange Super Bright LED Lamps, 45°, T-1 3/4



B5R304C	AlGaInP	Super Bright Red	632	624	Water Clear	2.00	2.40	20	600	1000	45
B5R304C	AlGaInP	Super Bright Red	632	624		2.00	2.40		2900	5000	
B5O304C	AlGaInP	Super Bright Orange	610	605		2.00	2.40		780	1300	
B5O304C	AlGaInP	Super Bright Orange	610	605		2.00	2.40		2200	3800	
B5Y304C	AlGaInP	Super Bright Yellow	592	590		2.00	2.40		600	1000	
B5Y304C	AlGaInP	Super Bright Yellow	592	590		2.00	2.40		1300	2200	
B5G304C	InGaN	Pure Green	520	525		3.20	3.60		14000	23000	
B5B304C	InGaN	Blue	468	470		3.20	3.60		2900	5000	

5mm Round Standard With Flange Super Bright LED Lamps, T-1 3/4

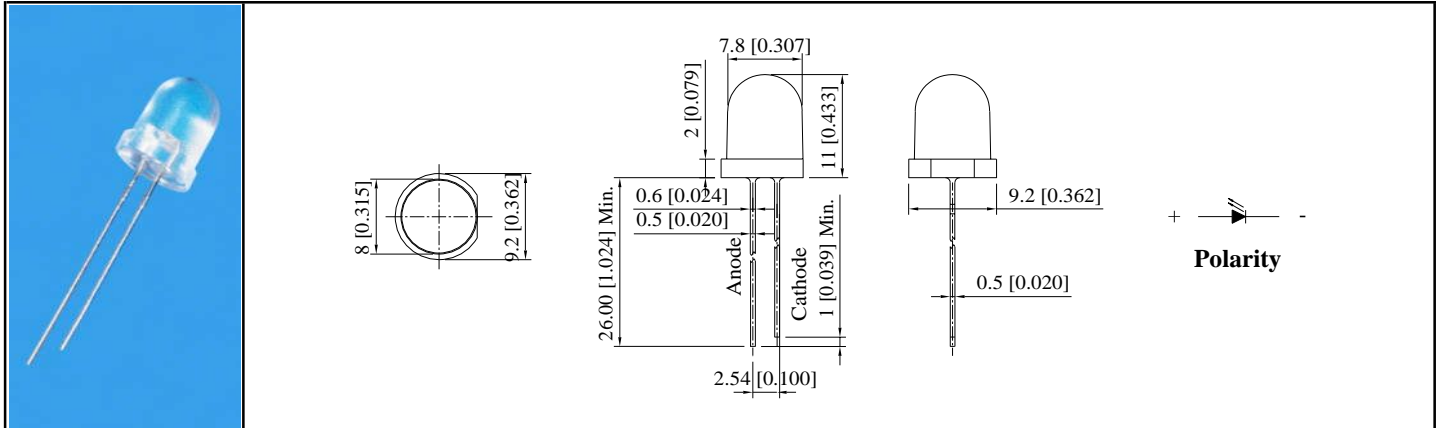


B5R304C	AlGaInP	Super Bright Red	632	624	Water Clear	2.00	2.40	20	780	1300	30
B5R304C	AlGaInP	Super Bright Red	632	624		2.00	2.40		2900	5000	
B5O304C	AlGaInP	Super Bright Orange	610	605		2.00	2.40		1300	2200	
B5O304C	AlGaInP	Super Bright Orange	610	605		2.00	2.40		2900	5000	
B5Y304C	AlGaInP	Super Bright Yellow	592	590		2.00	2.40		1000	1700	
B5Y304C	AlGaInP	Super Bright Yellow	592	590		2.00	2.40		2900	5000	
B5G304C	InGaN	Pure Green	520	525		3.20	3.60		14000	23000	
B5B304C	InGaN	Blue	468	470		3.20	3.60		2900	5000	
B5V304C	InGaN	UV	395	/	3.20	4.00	160	270	25		
B5V304C	InGaN	UV	400	/	3.20	4.00	160	270			

1. All dimensions are in millimeters (inches).
2. Tolerance is $\pm 0.25\text{mm}$ (.010") unless otherwise noted.
3. Specifications are subject to change without notice.

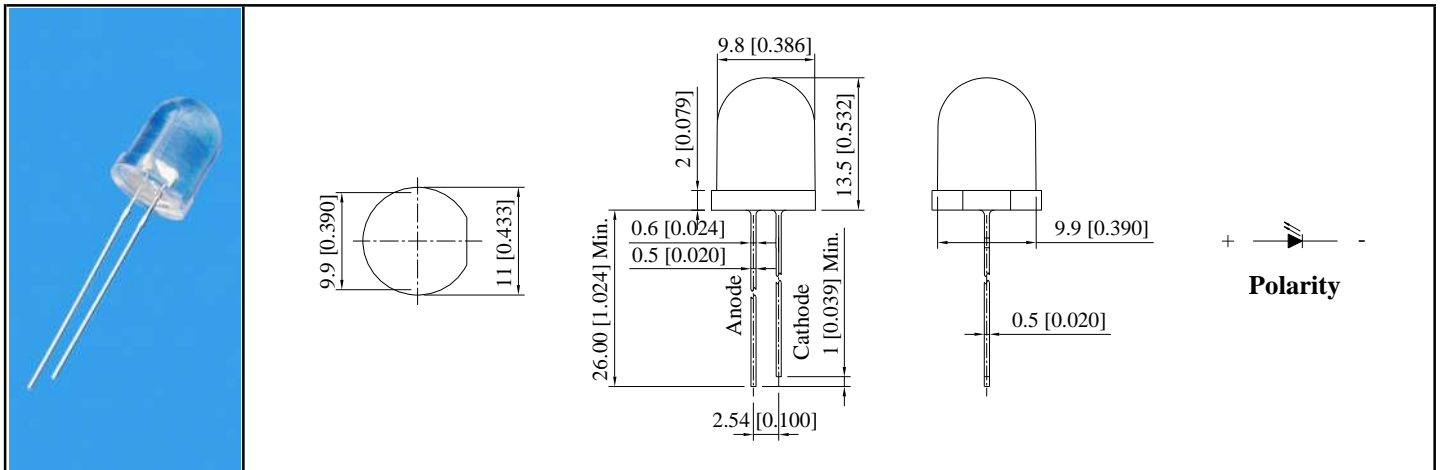
Part Number	Chip Material	Emitting Color	λ_p (nm) / x	λ_d (nm) / y	Lens Color	VF (V)		IV (mcd)			Viewing Angle
						Typ.	Max.	IF=mA	Min.	Typ.	2θ 1/2

8mm Round With Flange Super Bright LED Lamps



B8R304C	AlGaInP	Super Bright Red	632	624	Water Clear	2.00	2.40	20	1300	2200	30
B8R304C	AlGaInP	Super Bright Red	632	624		2.00	2.40		3800	6500	
B8O304C	AlGaInP	Super Bright Orange	610	605		2.00	2.40		1000	1700	
B8O304C	AlGaInP	Super Bright Orange	610	605		2.00	2.40		3800	6500	
B8Y304C	AlGaInP	Super Bright Yellow	592	590		2.00	2.40		780	1300	
B8Y304C	AlGaInP	Super Bright Yellow	592	590		2.00	2.40		1700	2900	
B8G304C	InGaN	Pure Green	520	525		3.20	3.60		11000	18000	25
B8B304C	InGaN	Blue	468	470		3.20	3.60		2900	5000	
B8V304C	InGaN	UV	395	/		3.20	4.00		90	160	20
B8V304C	InGaN	UV	400	/		3.20	4.00		120	210	

10mm Round With Flange Super Bright LED Lamps


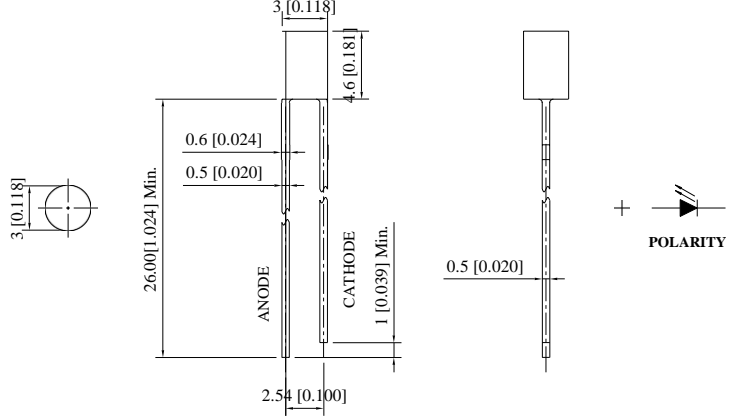


B10R304C	AlGaInP	Super Bright Red	632	624	Water Clear	2.00	2.40	20	1300	2200	20
B10R304C	AlGaInP	Super Bright Red	632	624		2.00	2.40		6500	11000	
B10O304C	AlGaInP	Super Bright Orange	610	605		2.00	2.40		1300	2200	
B10O304C	AlGaInP	Super Bright Orange	610	605		2.00	2.40		8500	14000	
B10Y304C	AlGaInP	Super Bright Yellow	592	590		2.00	2.40		1700	2900	
B10Y304C	AlGaInP	Super Bright Yellow	592	590		2.00	2.40		5000	8500	
B10G304C	InGaN	Pure Green	520	525		3.20	3.60		30000	51000	
B10B304C	InGaN	Blue	468	470		3.20	3.60		5000	8500	
B10V304C	InGaN	UV	395	/		3.20	4.00		120	210	
B10V304C	InGaN	UV	400	/		3.20	4.00		120	210	


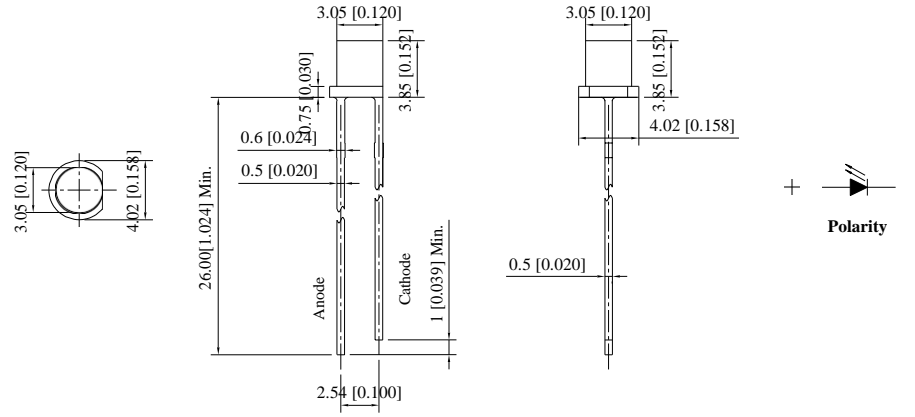
1. All dimensions are in millimeters (inches).
2. Tolerance is $\pm 0.25\text{mm}$ (.010") unless otherwise noted.
3. Specifications are subject to change without notice.

Part Number	Chip Material	Emitting Color	λ_p (nm) / x	λ_d (nm) / y	Lens Color	VF (V)		IV (mcd)			Viewing Angle
						Typ.	Max.	IF=mA	Min.	Typ.	2θ ½

3mm Cylindrical Without Flange Type LED Lamps

												
	C3R104D	AlGaInP	Super Bright Red	632	624	Red Diffused	2.00	2.40	20	70	120	130
	C3O104D	AlGaInP	Super Bright Orange	610	605	Orange Diffused	2.00	2.40		45	90	
	C3Y104D	AlGaInP	Super Bright Yellow	592	590	Yellow Diffused	2.00	2.40		70	120	
	C3YG104D	AlGaInP/GaAs	Super Yellow Green	573	571	Green Diffused	2.00	2.40		20	45	
	C3G104D	InGaN	Pure Green	520	525	Green Diffused	3.20	3.60		1300	2200	
	C3B104D	InGaN	Blue	468	470	Blue Diffused	3.20	3.60	210	350	110	


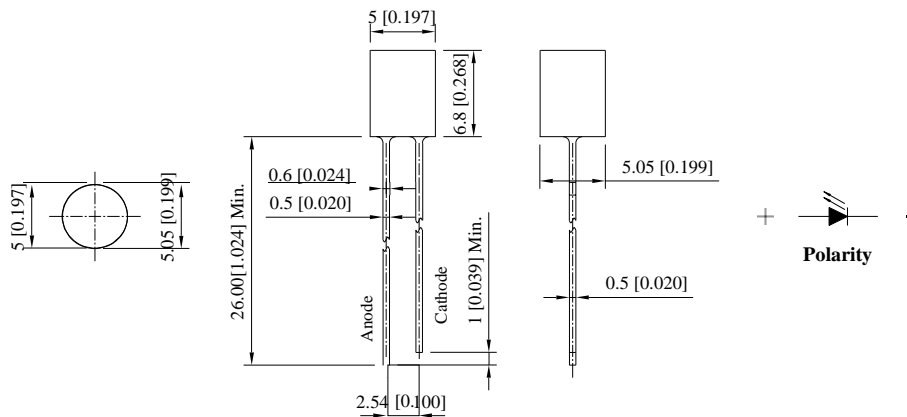
3mm Cylindrical With Flange LED Lamps

												
	C3R104C	AlGaInP	Super Bright Red	632	624	Red Diffused	2.00	2.40	20	70	120	130
	C3O104C	AlGaInP	Super Bright Orange	610	605	Orange Diffused	2.00	2.40		90	160	
	C3Y104C	AlGaInP	Super Bright Yellow	592	590	Yellow Diffused	2.00	2.40		45	90	
	C3YG104C	AlGaInP/GaAs	Super Yellow Green	573	571	Green Diffused	2.00	2.40		13	30	
	C3G104C	InGaN	Pure Green	520	525	Green Diffused	3.20	3.60		1300	2200	
	C3B104C	InGaN	Blue	468	470	Blue Diffused	3.20	3.60		210	350	


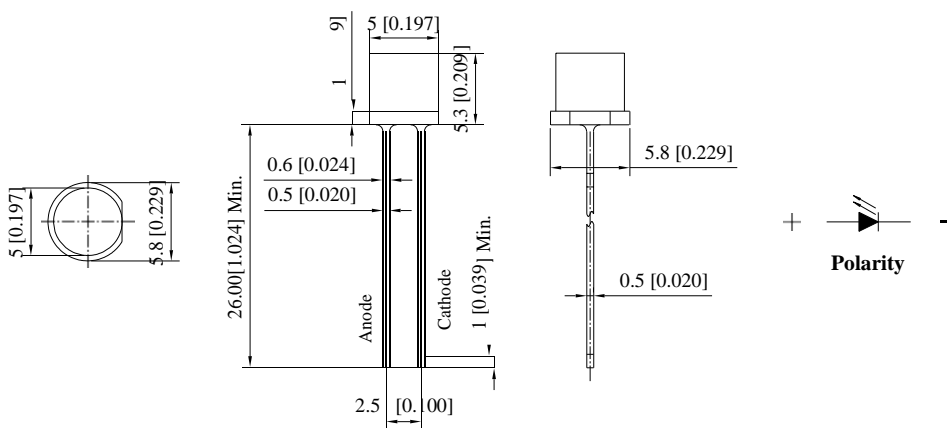
1. All dimensions are in millimeters (inches).
2. Tolerance is $\pm 0.25\text{mm}$ (.010") unless otherwise noted.
3. Specifications are subject to change without notice.

Part Number	Chip Material	Emitting Color	λ_p (nm) / x	λ_d (nm) / y	Lens Color	VF (V)		IV (mcd)			Viewing Angle
						Typ.	Max.	IF=mA	Min.	Typ.	2θ 1/2

5mm Cylindrical Without Flange Type LED Lamps

												
	C5R104D	AlGaInP	Super Bright Red	632	624	Red Diffused	2.00	2.40	20	70	120	130
	C5O104D	AlGaInP	Super Bright Orange	610	605	Orange Diffused	2.00	2.40		45	90	
	C5Y104D	AlGaInP	Super Bright Yellow	592	590	Yellow Diffused	2.00	2.40		70	120	
	C5YG104D	AlGaInP/GaAs	Super Yellow Green	573	571	Green Diffused	2.00	2.40		13	30	
	C5G104D	InGaN	Pure Green	520	525	Green Diffused	3.20	3.60		1000	1700	110
	C5B104D	InGaN	Blue	468	470	Blue Diffused	3.20	3.60		160	270	

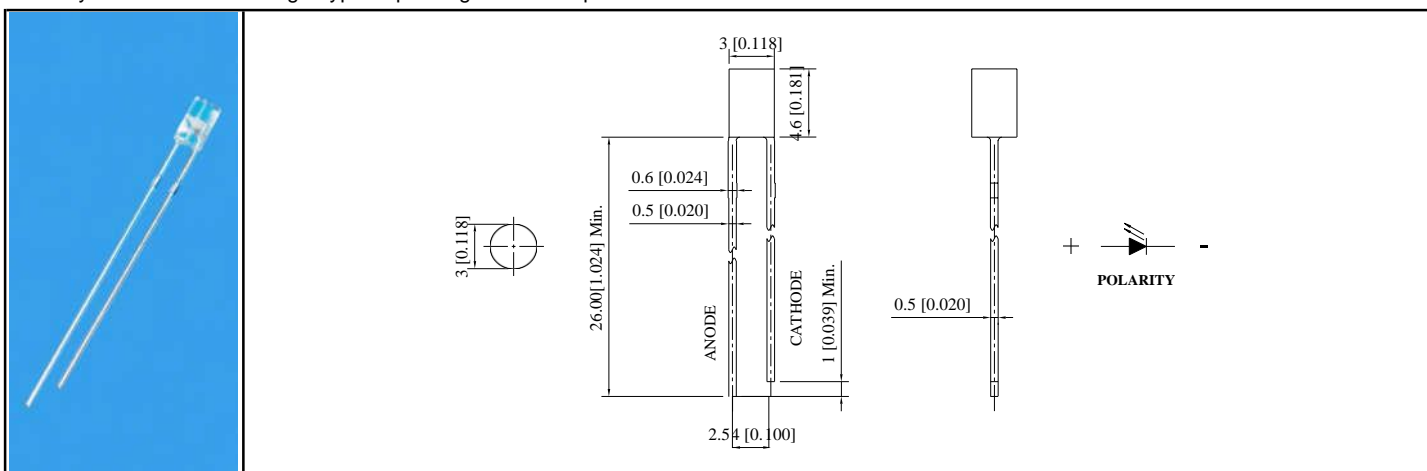
5mm Cylindrical With Flange LED Lamps

												
	C5R104C	AlGaInP	Super Bright Red	632	624	Red Diffused	2.00	2.40	20	70	120	130
	C5O104C	AlGaInP	Super Bright Orange	610	605	Orange Diffused	2.00	2.40		70	120	
	C5Y104C	AlGaInP	Super Bright Yellow	592	590	Yellow Diffused	2.00	2.40		70	120	
	C5YG104C	AlGaInP/GaAs	Super Yellow Green	573	571	Green Diffused	2.00	2.40		13	30	
	C5G104C	InGaN	Pure Green	520	525	Green Diffused	3.20	3.60		1000	1700	110
	C5B104C	InGaN	Blue	468	470	Blue Diffused	3.20	3.60		210	350	

1. All dimensions are in millimeters (inches).
2. Tolerance is $\pm 0.25\text{mm}$ (.010") unless otherwise noted.
3. Specifications are subject to change without notice.

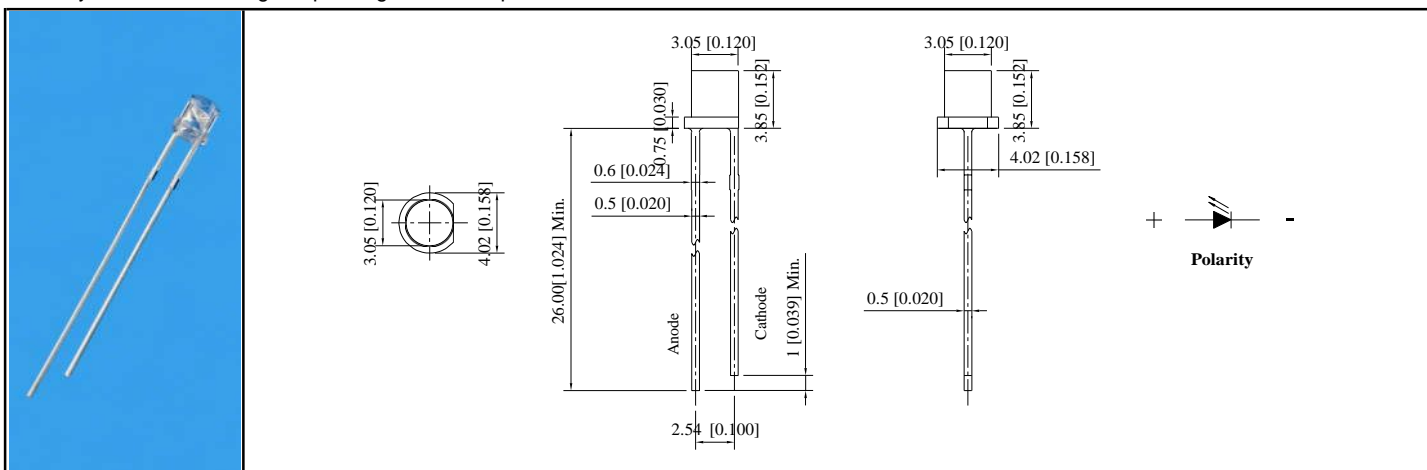
Part Number	Chip Material	Emitting Color	λ_p (nm) / x	λ_d (nm) / y	Lens Color	VF (V)		IV (mcd)			Viewing Angle
						Typ.	Max.	IF=mA	Min.	Typ.	2θ ½

3mm Cylindrical Without Flange Type Super Bright LED Lamps



C3R304D	AlGaInP	Super Bright Red	632	624	Water Clear	2.00	2.40	20	160	270	110
C3R304D	AlGaInP	Super Bright Red	632	624		2.00	2.40		600	1000	
C3O304D	AlGaInP	Super Bright Orange	610	605		2.00	2.40		90	160	
C3O304D	AlGaInP	Super Bright Orange	610	605		2.00	2.40		350	600	
C3Y304D	AlGaInP	Super Bright Yellow	592	590		2.00	2.40		90	160	
C3Y304D	AlGaInP	Super Bright Yellow	592	590		2.00	2.40		210	350	
C3YG304D	AlGaInP/GaAs	Super Yellow Green	573	571		2.00	2.40		30	70	
C3G304D	InGaN	Pure Green	520	525		3.20	3.60		2200	3800	100
C3B304D	InGaN	Blue	468	470		3.20	3.60		460	780	

3mm Cylindrical With Flange Super Bright LED Lamps

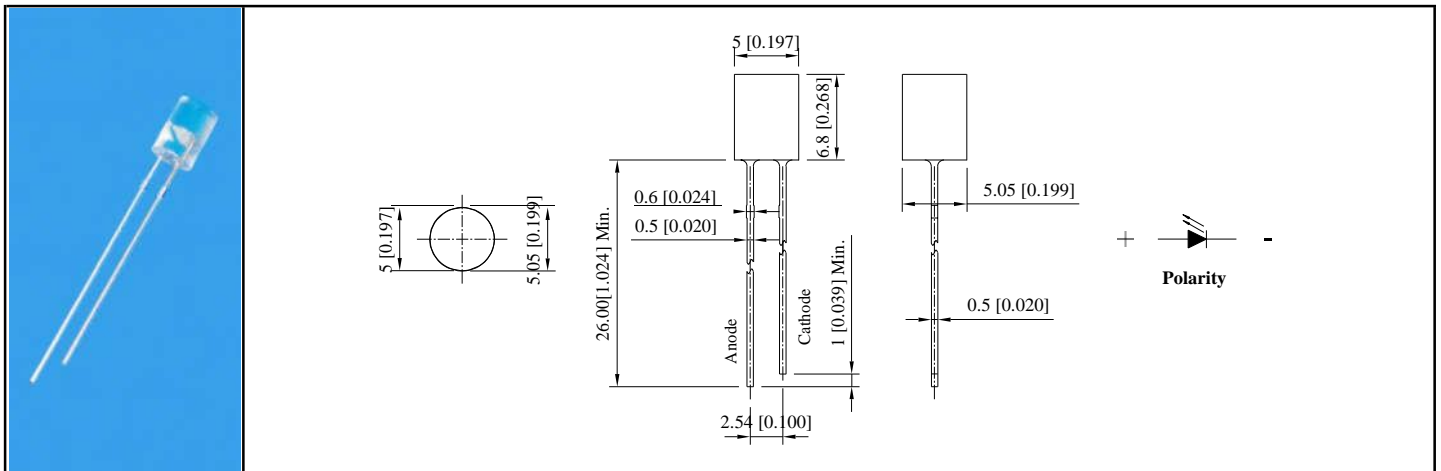


C3R304C	AlGaInP	Super Bright Red	632	624	Water Clear	2.00	2.40	20	90	160	110
C3R304C	AlGaInP	Super Bright Red	632	624		2.00	2.40		210	350	
C3O304C	AlGaInP	Super Bright Orange	610	605		2.00	2.40		70	120	
C3O304C	AlGaInP	Super Bright Orange	610	605		2.00	2.40		350	600	
C3Y304C	AlGaInP	Super Bright Yellow	592	590		2.00	2.40		70	120	
C3Y304C	AlGaInP	Super Bright Yellow	592	590		2.00	2.40		210	350	
C3YG304C	AlGaInP/GaAs	Super Yellow Green	573	571		2.00	2.40		20	45	
C3G304C	InGaN	Pure Green	520	525		3.20	3.60		2200	3800	100
C3B304C	InGaN	Blue	468	470		3.20	3.60		350	600	

1. All dimensions are in millimeters (inches).
2. Tolerance is $\pm 0.25\text{mm}$ (.010") unless otherwise noted.
3. Specifications are subject to change without notice.

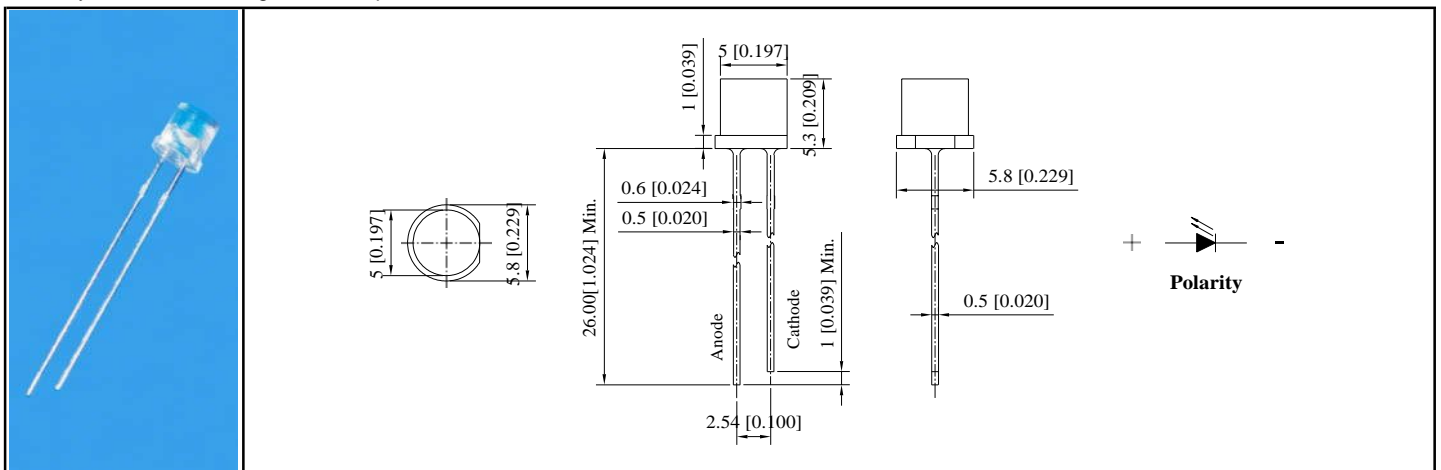
Part Number	Chip Material	Emitting Color	λ_p (nm) / x	λ_d (nm) / y	Lens Color	VF (V)		IV (mcd)			Viewing Angle
						Typ.	Max.	IF=mA	Min.	Typ.	2θ ½

5mm Cylindrical Without Flange Type Super Bright LED Lamps



C5R304D	AlGaInP	Super Bright Red	632	624	Water Clear	2.00	2.40	20	120	210	110
C5R304D	AlGaInP	Super Bright Red	632	624		2.00	2.40		270	460	
C5O304D	AlGaInP	Super Bright Orange	610	605		2.00	2.40		160	270	
C5O304D	AlGaInP	Super Bright Orange	610	605		2.00	2.40		460	780	
C5Y304D	AlGaInP	Super Bright Yellow	592	590		2.00	2.40		160	270	
C5Y304D	AlGaInP	Super Bright Yellow	592	590		2.00	2.40		270	460	
C5YG304D	AlGaInP/GaAs	Super Yellow Green	573	571		2.00	2.40		30	70	
C5G304D	InGaN	Pure Green	520	525		3.20	3.60		2200	3800	100
C5B304D	InGaN	Blue	468	470		3.20	3.60		460	780	

5mm Cylindrical With Flange LED Lamps


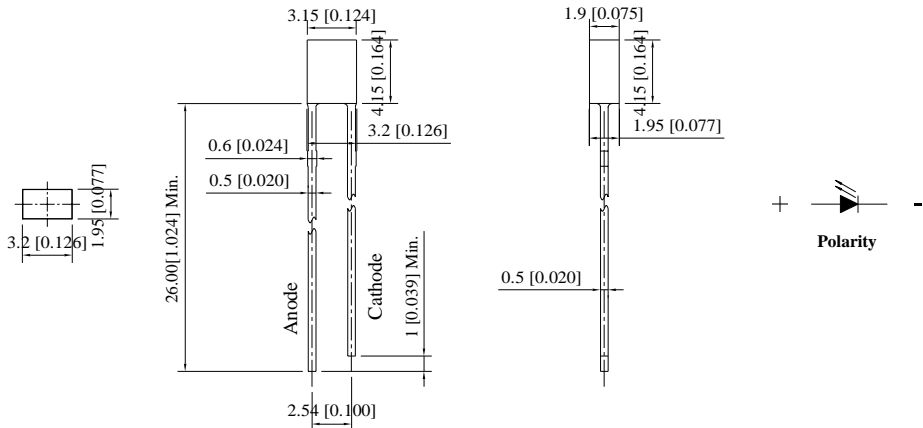


C5R304C	AlGaInP	Super Bright Red	632	624	Water Clear	2.00	2.40	20	120	210	110
C5R304C	AlGaInP	Super Bright Red	632	624		2.00	2.40		270	460	
C5O304C	AlGaInP	Super Bright Orange	610	605		2.00	2.40		120	210	
C5O304C	AlGaInP	Super Bright Orange	610	605		2.00	2.40		460	780	
C5Y304C	AlGaInP	Super Bright Yellow	592	590		2.00	2.40		160	270	
C5Y304C	AlGaInP	Super Bright Yellow	592	590		2.00	2.40		270	460	
C5YG304C	AlGaInP/GaAs	Super Yellow Green	573	571		2.00	2.40		20	45	
C5G304C	InGaN	Pure Green	520	525		3.20	3.60		1300	2200	100
C5B304C	InGaN	Blue	468	470		3.20	3.60		460	780	


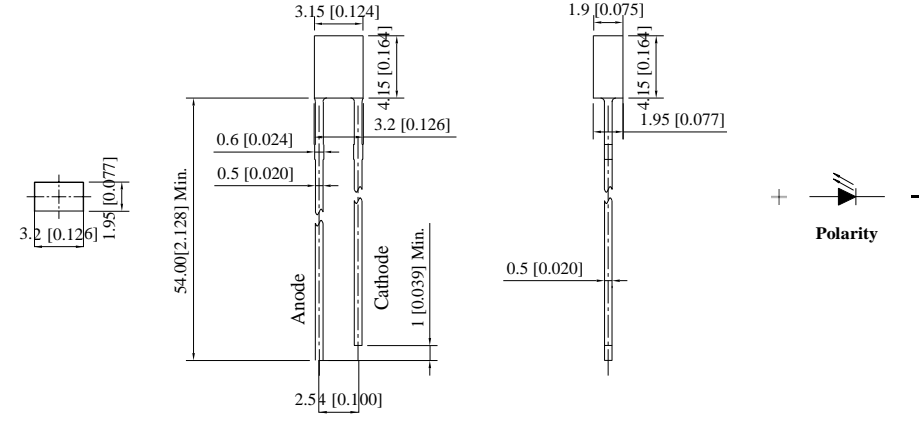
1. All dimensions are in millimeters (inches).
2. Tolerance is $\pm 0.25\text{mm}$ (.010") unless otherwise noted.
3. Specifications are subject to change without notice.

Part Number	Chip Material	Emitting Color	λ_p (nm) / x	λ_d (nm) / y	Lens Color	VF (V)		IV (mcd)			Viewing Angle
						Typ.	Max.	IF=mA	Min.	Typ.	2θ ½

2x3mm Rectangular Flangeless LED Lamps

												
	R234R104D	AlGaInP	Super Bright Red	632	624	Red Diffused	2.00	2.40	20	70	120	130
	R234O104D	AlGaInP	Super Bright Orange	610	605	Orange Diffused	2.00	2.40		45	90	
	R234Y104D	AlGaInP	Super Bright Yellow	592	590	Yellow Diffused	2.00	2.40		30	70	
	R234YG104D	AlGaInP/GaAs	Super Yellow Green	573	571	Green Diffused	2.00	2.40		20	45	
	R234G104D	InGaN	Pure Green	520	525	Green Diffused	3.20	3.60		1300	2200	
	R234B104D	InGaN	Blue	468	470	Blue Diffused	3.20	3.60		160	270	


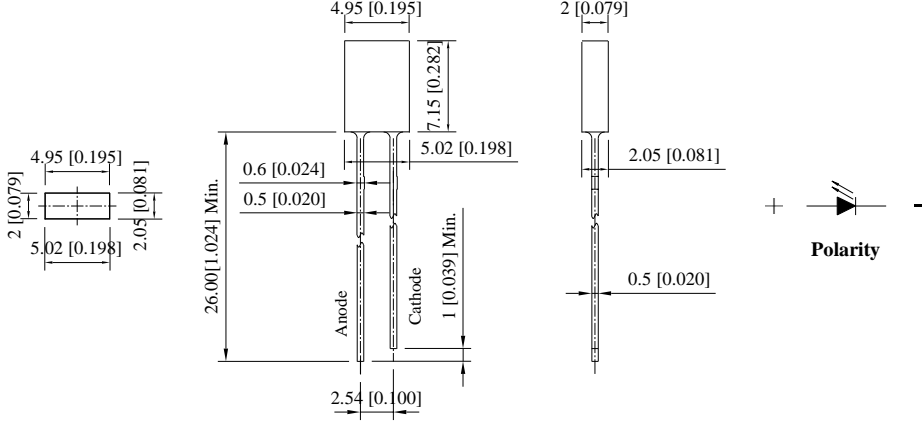
2x3mm Rectangular Flangeless LED Lamps

												
	R234R104DTLC54	AlGaInP	Super Bright Red	632	624	Red Diffused	2.00	2.40	20	70	120	130
	R234O104DTLC54	AlGaInP	Super Bright Orange	610	605	Orange Diffused	2.00	2.40		45	90	
	R234Y104DTLC54	AlGaInP	Super Bright Yellow	592	590	Yellow Diffused	2.00	2.40		30	70	
	R234G104DTLC54	AlGaInP/GaAs	Super Yellow Green	573	571	Green Diffused	2.00	2.40		20	45	


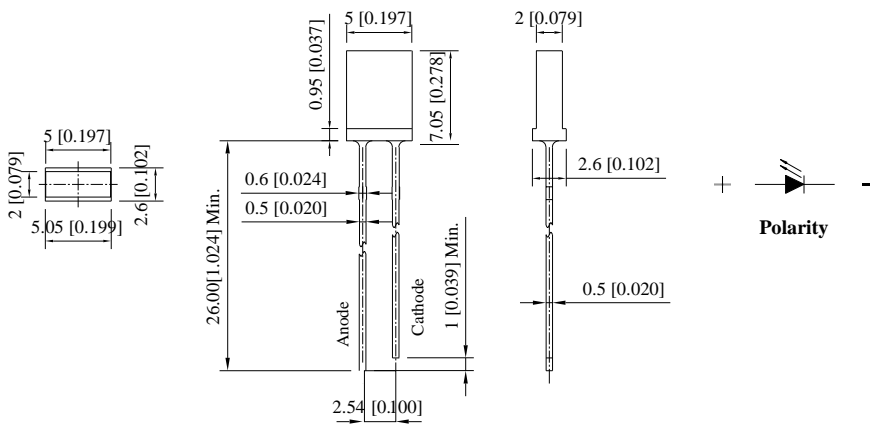
1. All dimensions are in millimeters (inches).
2. Tolerance is $\pm 0.25\text{mm}$ (.010") unless otherwise noted.
3. Specifications are subject to change without notice.

Part Number	Chip Material	Emitting Color	λ_p (nm) / x	λ_d (nm) / y	Lens Color	VF (V)		IV (mcd)			Viewing Angle
						Typ.	Max.	IF=mA	Min.	Typ.	2θ 1/2

2x5mm Rectangular Flangeless LED Lamps

												
	R257R104D	AlGaInP	Super Bright Red	632	624	Red Diffused	2.00	2.40	20	70	120	130
	R257O104D	AlGaInP	Super Bright Orange	610	605	Orange Diffused	2.00	2.40		20	45	
	R257Y104D	AlGaInP	Super Bright Yellow	592	590	Yellow Diffused	2.00	2.40		30	70	
	R257YG104D	AlGaInP/GaAs	Super Yellow Green	573	571	Green Diffused	2.00	2.40		13	30	
	R257G104D	InGaN	Pure Green	520	525	Green Diffused	3.20	3.60		600	1000	
	R257B104D	InGaN	Blue	468	470	Blue Diffused	3.20	3.60		160	270	

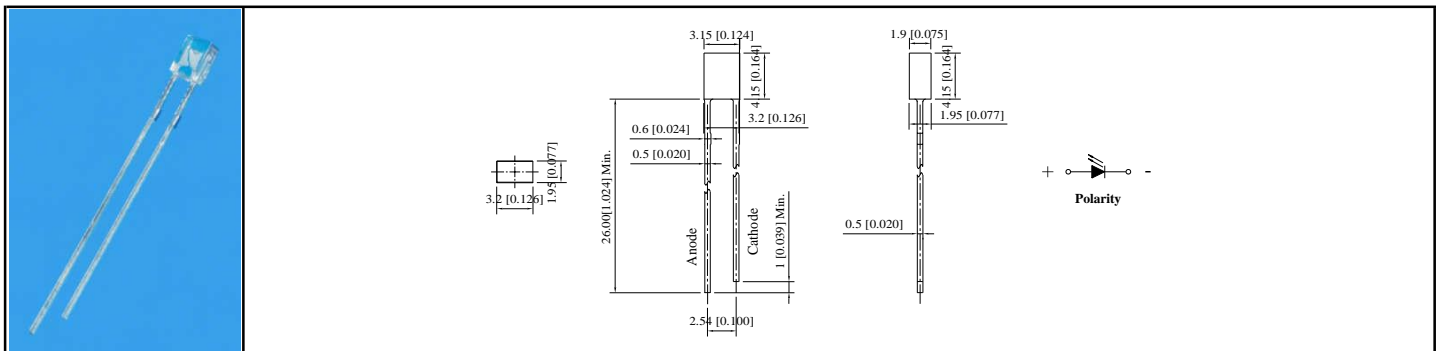
2x5mm Rectangular With Flange LED Lamps

												
	R257R104C	AlGaInP	Super Bright Red	632	624	Red Diffused	2.00	2.40	20	45	90	130
	R257O104C	AlGaInP	Super Bright Orange	610	605	Orange Diffused	2.00	2.40		30	70	
	R257Y104C	AlGaInP	Super Bright Yellow	592	590	Yellow Diffused	2.00	2.40		20	45	
	R257YG104C	AlGaInP/GaAs	Super Yellow Green	573	571	Green Diffused	2.00	2.40		9	20	
	R257G104C	InGaN	Pure Green	520	525	Green Diffused	3.20	3.60		780	1300	
	R257B104C	InGaN	Blue	468	470	Blue Diffused	3.20	3.60		160	270	

1. All dimensions are in millimeters (inches).
2. Tolerance is $\pm 0.25\text{mm}$ (.010") unless otherwise noted.
3. Specifications are subject to change without notice

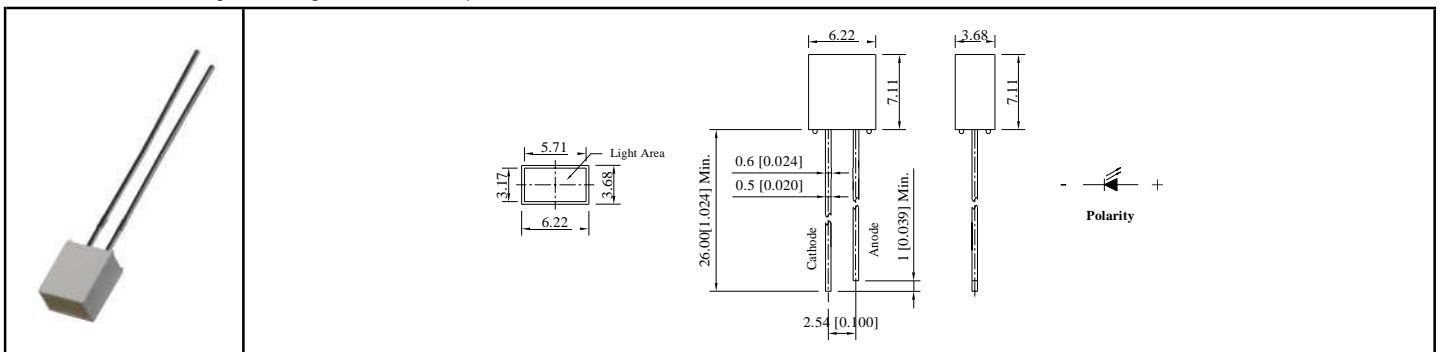
Part Number	Chip Material	Emitting Color	λ_p (nm) / x	λ_d (nm) / y	Lens Color	VF (V)		IV (mcd)			Viewing Angle
						Typ.	Max.	IF=mA	Min.	Typ.	2θ 1/2

2x3mm Rectangular Flangeless Super Bright LED Lamps



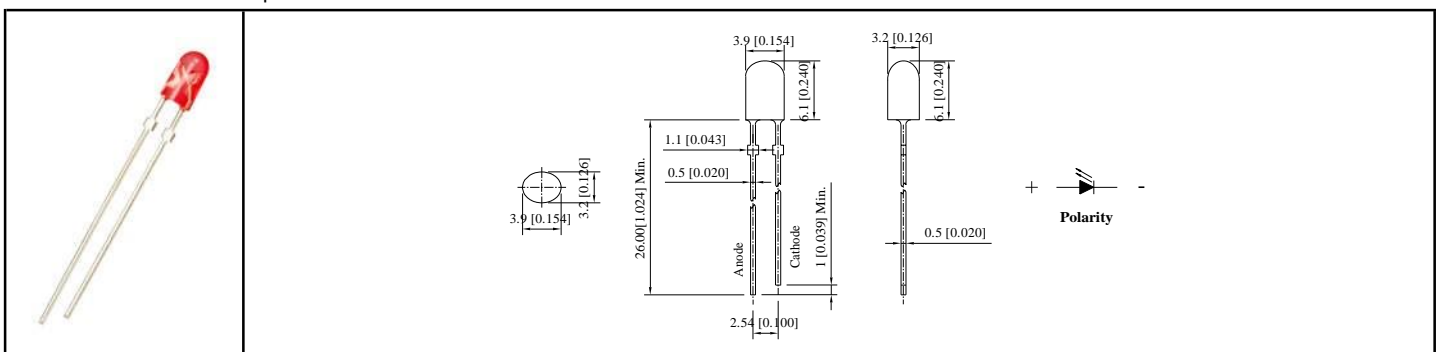
R234R304D	AlGaInP	Super Bright Red	632	624	Water Clear	2.00	2.40	20	90	160	130
R234O304D	AlGaInP	Super Bright Orange	610	605		2.00	2.40		120	210	
R234Y304D	AlGaInP	Super Bright Yellow	592	590		2.00	2.40		90	160	
R234G304D	InGaN	Pure Green	520	525		3.20	3.60		1700	2900	
R234B304D	InGaN	Blue	468	470		3.20	3.60		460	780	

6.22x3.68mm Rectangular Flangeless LED Lamps



R467R104C	AlGaInP	Super Bright Red	632	624	Red Diffused	2.00	2.40	20	20	45	110
R467Y104C	AlGaInP	Super Bright Yellow	592	590	Yellow Diffused	2.00	2.40		20	45	
R467G104C	AlGaInP/GaAs	Super Yellow Green	573	571	Green Diffused	2.00	2.40		5	12	

3.9x3.2mm Oval LED Lamps


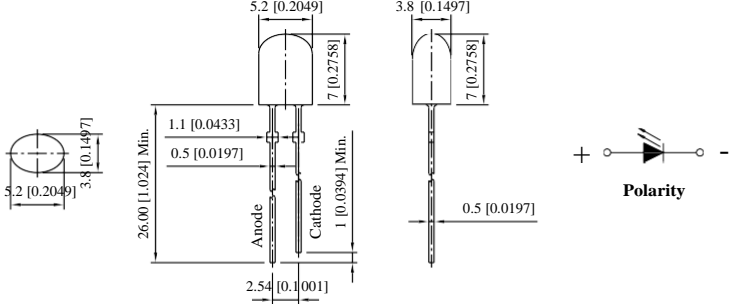


W346R104C	AlGaInP	Super Bright Red	632	624	Red Diffused	2.00	2.40	20	780	1300	110/40
W346Y104C	AlGaInP	Super Bright Yellow	592	590	Yellow Diffused	2.00	2.40		780	1300	
W346G104C	InGaN	Pure Green	520	525	Green Diffused	3.20	3.60		2200	3800	
W346B104C	InGaN	Blue	468	470	Blue Diffused	3.20	3.60		350	600	


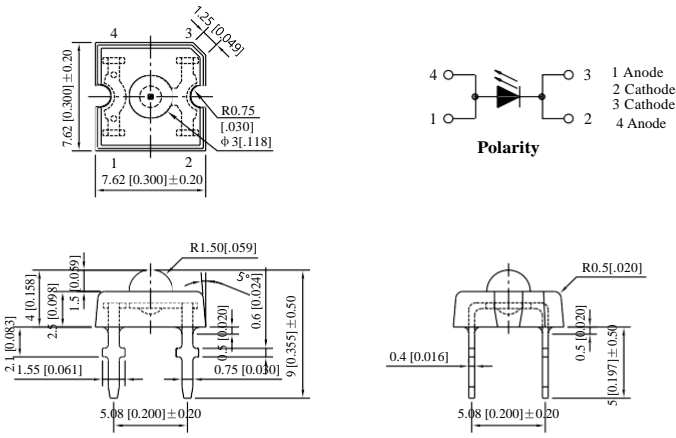
1. All dimensions are in millimeters (inches).
2. Tolerance is $\pm 0.25\text{mm}$ (.010") unless otherwise noted.
3. Specifications are subject to change without notice

Part Number	Chip Material	Emitting Color	λ_p (nm) / x	λ_d (nm) / y	Lens Color	VF (V)		IV (mcd)			Viewing Angle
						Typ.	Max.	IF=mA	Min.	Typ.	2θ 1/2

5.2x3.8mm Oval LED Lamps

												
	W546R104C	AlGaInP	Super Bright Red	632	624	Red Diffused	2.00	2.40	20	780	1300	110/40
	W546Y104C	AlGaInP	Super Bright Yellow	592	590	Yellow Diffused	2.00	2.40		600	1000	
	W546G104C	InGaIn	Pure Green	520	525	Green Diffused	3.20	3.60		1700	2900	
	W546B104C	InGaIn	Blue	468	470	Blue Diffused	3.20	3.60		460	780	

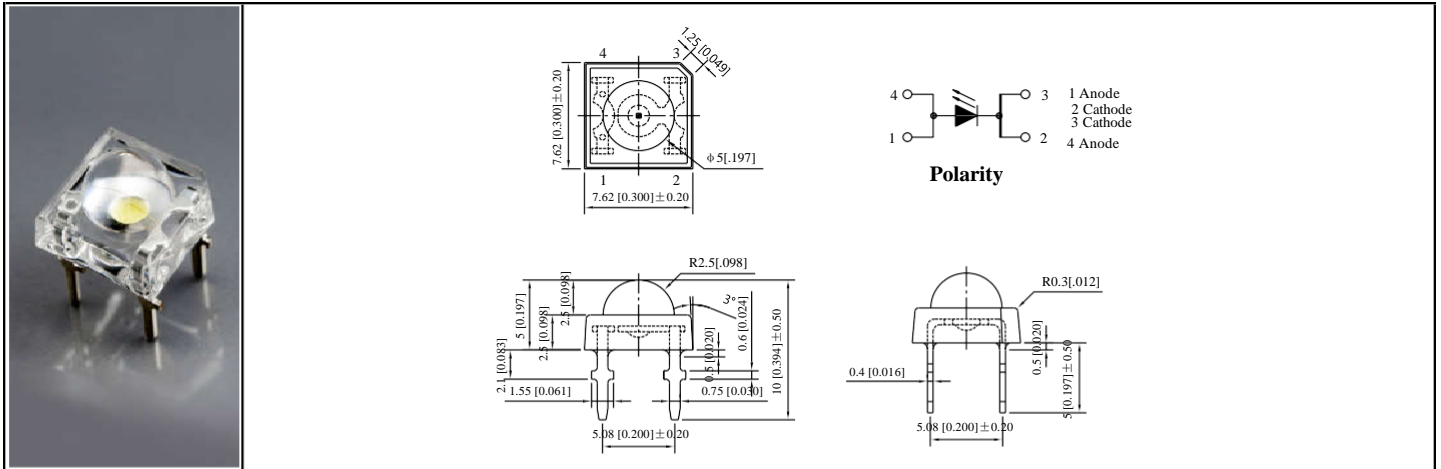
Square (7.62mmx7.62mm) With 3mm Dome 4 Leads Super Flux LED

												
	SUB3R309DKB	AlGaInP	Super Bright Red	632	624	Water Clear	2.00	2.40	20	1000	2500	40
	SUB3Y309DKB	AlGaInP	Super Bright Yellow	592	590		2.00	2.40		1000	2500	
	SUB3PG309DKB	InGaIn	Pure Green	520	525		3.20	3.60		6000	8000	
	SUB3B309DKB	InGaIn	Blue	468	470		3.20	3.60		1500	2500	
	SUB3W309DKB-CC	InGaIn	Cool White	x=0.31	y=0.32		3.20	3.60		2000	4000	
	SUB3W309DKB-AC	InGaIn	Warm White	x=0.43	y=0.40		3.20	3.60		2000	4000	

1. All dimensions are in millimeters (inches).
2. Tolerance is $\pm 0.25\text{mm}$ (.010") unless otherwise noted.
3. Specifications are subject to change without notice

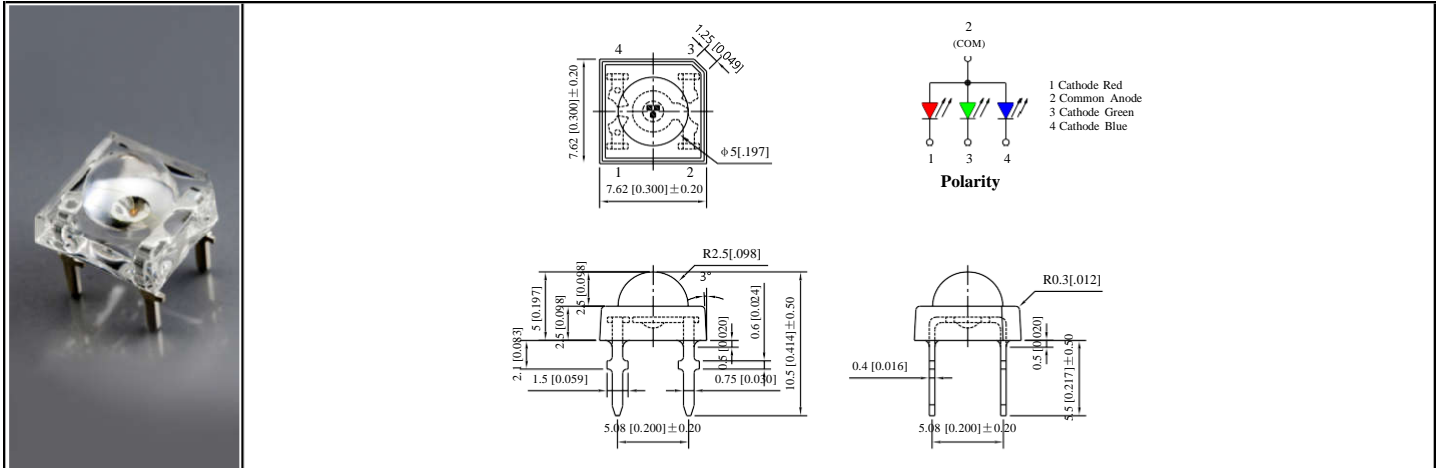
Part Number	Chip Material	Emitting Color	λ_p (nm) / x	λ_d (nm) / y	Lens Color	VF (V)		IV (mcd)			Viewing Angle
						Typ.	Max.	IF=mA	Min.	Typ.	2θ 1/2

Square (7.62mmx7.62mm) With 5mm Dome 4 Leads Super Flux LED



SUB5R309DKB	AlGaInP	Super Bright Red	632	624	Water Clear	2.00	2.40	20	800	1500	50
SUB5Y309DKB	AlGaInP	Super Bright Yellow	592	590		2.00	2.40		800	1500	
SUB5PG309DKB	InGaN	Pure Green	520	525		3.20	3.60		7000	10000	
SUB5B309DKB	InGaN	Blue	468	470		3.20	3.60		1000	2000	
SUB5W309DKB-CC	InGaN	Cool White	x=0.31	y=0.32	Yellow Diffused	3.20	3.60	4000	6000		
SUB5W309DKB-AC	InGaN	Warm White	x=0.43	y=0.40		3.20	3.60	3000	5000		

Square (7.62mmx7.62mm) With 5mm Dome 4 Leads Super Flux LED



SUB5RGB309DKBGA	AlGaInP	Super Bright Red	632	624	Water Clear	2.00	2.40	20	500	1000	50
	InGaN	Pure Green	520	525		3.20	3.60		1000	2000	
	InGaN	Blue	468	470		3.20	3.60		200	500	

1. All dimensions are in millimeters (inches).
2. Tolerance is $\pm 0.25\text{mm}$ (.010") unless otherwise noted.
3. Specifications are subject to change without notice

Part Number	Chip Material	Emitting Color	λ_p (nm) / x	λ_d (nm) / y	Lens Color	VF (V)		IV (mcd)			Viewing Angle
						Typ.	Max.	IF=mA	Min.	Typ.	2θ 1/2

2x5mm Bi-Color Without Common Polarity Type LED

	<p>1 Anode the First Color, Cathode the Second Color 2 Anode the Second Color, Cathode the First Color</p> <p>Polarity</p>											
	R257RYG204CGD	AlGaInP	Super Bright Red	632	624	White Diffused	2.00	2.40	20	30	70	150
	AlGaInP/GaAs	Super Yellow Green	573	571	2.00		2.40	6		13		
	R257YYG204CGD	AlGaInP	Super Bright Yellow	592	590	White Diffused	2.00	2.40	20	30	70	150
		AlGaInP/GaAs	Super Yellow Green	573	571		2.00	2.40		9	20	

2x5mm Bi-Color With Common Cathode Type LED

	<p>1 Anode the Second Color 2 Common Cathode 3 Anode the First Color</p> <p>Polarity</p>											
	R257RYG206CGC	AlGaInP	Super Bright Red	632	624	White Diffused	2.00	2.40	20	45	90	120
	AlGaInP/GaAs	Super Yellow Green	573	571	2.00		2.40	13		30		
	R257YYG206CGC	AlGaInP	Super Bright Yellow	592	590	White Diffused	2.00	2.40	20	45	90	120
		AlGaInP/GaAs	Super Yellow Green	573	571		2.00	2.40		13	30	

3mm Bi-Color Without Common Polarity Type LED

	<p>1 Anode the First Color, Cathode the Second Color 2 Anode the Second Color, Cathode the First Color</p> <p>Polarity</p>											
	B3RYG204CGD	AlGaInP	Super Bright Red	632	624	White Diffused	2.00	2.40	20	70	170	60
	AlGaInP/GaAs	Super Yellow Green	573	571	2.00		2.40	20		45		
	B3YYG204CGD	AlGaInP	Super Bright Yellow	592	590	White Diffused	2.00	2.40	20	45	90	60
		AlGaInP/GaAs	Super Yellow Green	573	571		2.00	2.40		20	45	

1. All dimensions are in millimeters (inches).

2. Tolerance is $\pm 0.25\text{mm}$ ($.010''$) unless otherwise noted.

3. Specifications are subject to change without notice

Part Number	Chip Material	Emitting Color	λ_p (nm) / x	λ_d (nm) / y	Lens Color	VF (V)		IV (mcd)			Viewing Angle
						Typ.	Max.	IF=mA	Min.	Typ.	2θ 1/2

3mm Bi-Color With Common Cathode Type LED

	B3RYG206CGC	AlGaInP	Super Bright Red	632	624	White Diffused	2.00	2.40	20	110	260
	AlGaInP/GaAs	Super Yellow Green	573	571	2.00		2.40	45		110	
B3YYG206CGC	AlGaInP	Super Bright Yellow	592	590	2.00	2.40	70	170			
	AlGaInP/GaAs	Super Yellow Green	573	571	2.00	2.40	45	110			

3mm Bi-Color With Common Anode Type LED

	B3RG206CGA	AlGaInP	Super Bright Red	632	624	White Diffused	2.00	2.40	20	590	1300
	InGaN	Pure Green	520	525	3.20		3.60	2000		4500	
B3YG206CGA	AlGaInP	Super Bright Yellow	592	590	2.00	2.40	390	890			
	InGaN	Pure Green	520	525	3.20	3.60	2000	4500			


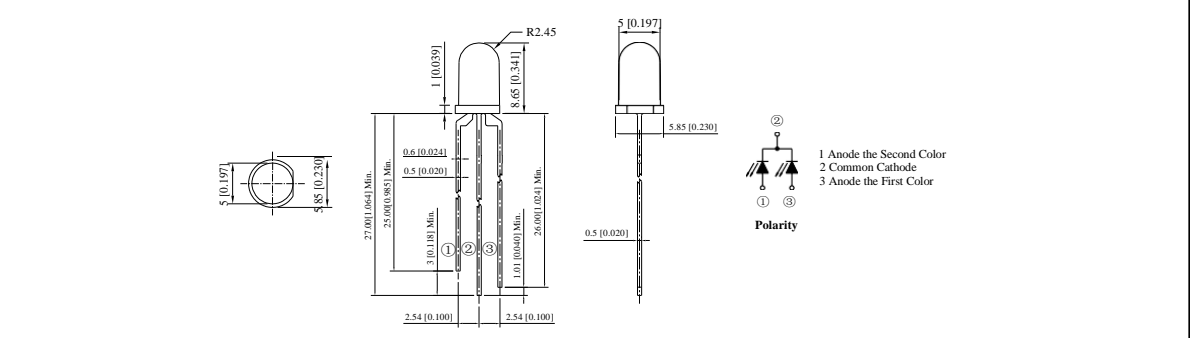
5mm Bi-Color Without Common Polarity Type LED

	B5RYG204C	AlGaInP	Super Bright Red	632	624	White Diffused	2.00	2.40	20	70	170
	AlGaInP/GaAs	Super Yellow Green	573	571	2.00		2.40	30		70	
B5YYG204C	AlGaInP	Super Bright Yellow	592	590	2.00	2.40	45	90			
	AlGaInP/GaAs	Super Yellow Green	573	571	2.00	2.40	13	30			


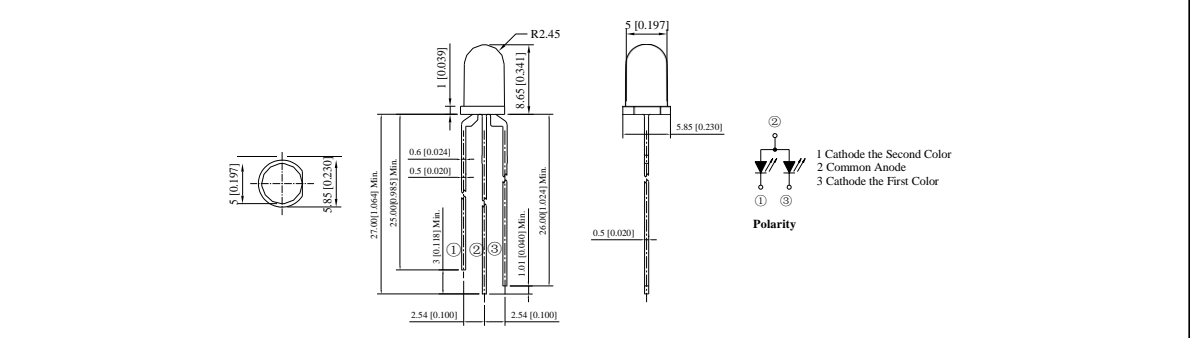
1. All dimensions are in millimeters (inches).
2. Tolerance is $\pm 0.25\text{mm}$ (.010") unless otherwise noted.
3. Specifications are subject to change without notice

Part Number	Chip Material	Emitting Color	λ_p (nm) / x	λ_d (nm) / y	Lens Color	VF (V)		IV (mcd)			Viewing Angle
						Typ.	Max.	IF=mA	Min.	Typ.	2θ 1/2


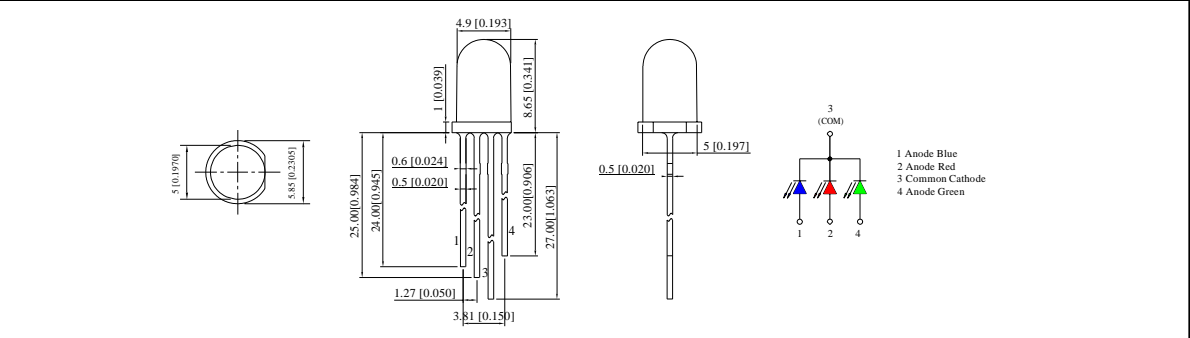
5mm Bi-Color With Common Cathode Type LED

											
	B5RYG206CGC	AlGaInP	Super Bright Red	632	624	White Diffused	2.00	2.40	20	110	260
	AlGaInP/GaAs	Super Yellow Green	573	571	2.00		2.40	30		70	
B5YYG206CGC	AlGaInP	Super Bright Yellow	592	590	2.00	2.40	170	390			
	AlGaInP/GaAs	Super Yellow Green	573	571	2.00	2.40	45	110			

5mm Bi-Color With Common Anode Type LED

											
	B5RG206CGA	AlGaInP	Super Bright Red	632	624	White Diffused	2.00	2.40	20	390	890
	InGaIn	Pure Green	520	525	3.20		3.60	1300		3000	
B5YG206CGA	AlGaInP	Super Bright Yellow	592	590	2.00	2.40	390	890			
	InGaIn	Pure Green	520	525	3.20	3.60	1300	3000			

5mm Multi-Color With Common Cathode Type LED

											
	B5RGB309CGC	AlGaInP	Super Bright Red	632	624	Water Clear	2.00	2.40	20	1600	3200
	InGaIn	Pure Green	520	525	3.20		3.60	2000		4000	
	InGaIn	Blue	468	470	3.20		3.60	1000		2000	

1. All dimensions are in millimeters (inches).
2. Tolerance is $\pm 0.25\text{mm}$ (.010") unless otherwise noted.
3. Specifications are subject to change without notice

Part Number	Chip Material	Emitting Color	λ_p (nm) / x	λ_d (nm) / y	Lens Color	VF (V)		IV (mcd)			Viewing Angle
						Typ.	Max.	IF=mA	Min.	Typ.	2 θ 1/2

5mm Multi-Color With Common Anode Type LED

B5RGB309CGA											
	AlGaInP	Super Bright Red	632	624	Water Clear	2.00	2.40	20	600	1000	25
	InGaN	Pure Green	520	525		3.20	3.60		2000	4000	
InGaN	Blue	468	470	3.20		3.60	400		700		

5mm Multi-Color With Common Cathode Type LED

B5RGB209CGC											
	AlGaInP	Super Bright Red	632	624	Water Clear	2.00	2.40	20	200	500	160
	InGaN	Pure Green	520	525		3.20	3.60		250	1500	
InGaN	Blue	468	470	3.20		3.60	150		500		

5mm Multi-Color With Common Anode Type LED

B5RGB209CGA											
	AlGaInP	Super Bright Red	632	624	Water Clear	2.00	2.40	20	350	600	60
	InGaN	Pure Green	520	525		3.20	3.60		450	1000	
InGaN	Blue	468	470	3.20		3.60	250		500		

1. All dimensions are in millimeters (inches).

2. Tolerance is $\pm 0.25\text{mm}$ (.010") unless otherwise noted.

3. Specifications are subject to change without notice

Part Number	Chip Material	Emitting Color	λ_p (nm) / x	λ_d (nm) / y	Lens Color	VF (V)		IV (mcd)			Viewing Angle
						Typ.	Max.	IF=mA	Min.	Typ.	2 θ 1/2

2.15mmx2.40mmx1.40mm Subminiature Axial Flat Top View Chip LED

	ZF-A21VC-2B	AlGaInP	Super Bright Red	632	624	Water Clear	2.00	2.40	20	80	120
ZF-A21AC-2B	AlGaInP	Super Bright Orange	610	605	2.00		2.40	80		150	
ZF-A21YC-2B	AlGaInP	Super Bright Yellow	592	590	2.00		2.40	80		120	
ZF-A21GC-2B	AlGaInP	Yellow Green	575	573	2.00		2.40	20		40	
ZF-A21PGC-	InGaN	Pure Green	520	525	3.20		3.60	100		250	
ZF-G5-1B	InGaN	Blue	468	470	3.20		3.60	45		80	
ZF-A21BC-B4-	InGaN	Cool White	x=0.31	y=0.32	Yellow Diffused	3.20	3.60	150	300		

2.15mmx2.40mmx1.40mm Subminiature Axial Flat Top View Chip LED

	ZF-A21VC-2B/TR3	AlGaInP	Super Bright Red	632	624	Water Clear	2.00	2.40	20	80	120
ZF-A21AC-2B/TR3	AlGaInP	Super Bright Orange	610	605	2.00		2.40	80		150	
ZF-A21YC-2B/TR3	AlGaInP	Super Bright Yellow	592	590	2.00		2.40	80		120	
ZF-A21GC-2B/TR3	AlGaInP	Yellow Green	575	573	2.00		2.40	20		40	
ZF-A21PGC-G5-1B/TR3	InGaN	Pure Green	520	525	3.20		3.60	100		250	
ZF-A21BC-B4-1B/TR3	InGaN	Blue	468	470	3.20		3.60	45		80	
ZF-A21W-W2-1C/TR3	InGaN	Cool White	x=0.31	y=0.32	Yellow Diffused	3.20	3.60	150	300		

1. All dimensions are in millimeters (inches).

2. Tolerance is ± 0.25 mm (.010") unless otherwise noted.

3. Specifications are subject to change without notice

Part Number	Chip Material	Emitting Color	λ_p (nm) / x	λ_d (nm) / y	Lens Color	VF (V)		IV (mcd)			Viewing Angle
						Typ.	Max.	IF=mA	Min.	Typ.	2 θ 1/2

2.15mmx2.40mmx1.40mm Subminiature Axial Flat Top View Chip LED

ZF-A21VC-2B/TR6	AlGaInP	Super Bright Red	632	624	Water Clear	2.00	2.40	20	80	120	140	
ZF-A21AC-2B/TR6	AlGaInP	Super Bright Orange	610	605		2.00	2.40		80	150		
ZF-A21YC-	AlGaInP	Super Bright Yellow	592	590		2.00	2.40		80	120		
ZF-A21GC-2B/TR6	AlGaInP	Yellow Green	575	573		2.00	2.40		20	20		40
ZF-A21PGC-G5-1B/TR6	InGaN	Pure Green	520	525		3.20	3.60		100	250		
ZF-A21BC-B4-1B/TR6	InGaN	Blue	468	470		3.20	3.60		45	80		
ZF-A21W-W2-1C/TR6	InGaN	Cool White	x=0.31	y=0.32		Yellow Diffused	3.20		3.60	150		300

2.15mmx2.40mmx2.75mm Subminiature Axial Chip LED

ZF-AR180VC-2B	AlGaInP	Super Bright Red	632	624	Water Clear	2.00	2.40	20	1000	2000	25
ZF-AR180AC-2B	AlGaInP	Super Bright Orange	610	605		2.00	2.40		800	1800	
ZF-AR180YC-2B	AlGaInP	Super Bright Yellow	592	590		2.00	2.40		1000	2000	
ZF-AR180GC-2B	AlGaInP	Yellow Green	575	573		2.00	2.40		800	1800	
ZF-AR180PGC-G5-1B	InGaN	Pure Green	520	525		3.20	3.60		1500	3000	
ZF-AR180BC-B4-1B	InGaN	Blue	468	470		3.20	3.60		500	1000	
ZF-AR180W-W2-1C	InGaN	Cool White	x=0.31	y=0.32		Yellow Diffused	3.20		3.60	150	

1. All dimensions are in millimeters (inches).
2. Tolerance is $\pm 0.25\text{mm}$ (.010") unless otherwise noted.
3. Specifications are subject to change without notice

Part Number	Chip Material	Emitting Color	λ_p (nm) / x	λ_d (nm) / y	Lens Color	VF (V)		IV (mcd)			Viewing Angle
						Typ.	Max.	IF=mA	Min.	Typ.	2θ 1/2

2.15mmx2.40mmx2.75mm Subminiature Axial Chip LED

	ZF-AR180VC-2B/TR2	AlGaInP	Super Bright Red	632	624	Water Clear	2.00	2.40	20	1000	2000	25
	ZF-AR180AC-2B/TR2	AlGaInP	Super Bright Orange	610	605		2.00	2.40		800	1800	
	ZF-AR180YC-2B/TR2	AlGaInP	Super Bright Yellow	592	590		2.00	2.40		1000	2000	
	ZF-AR180GC-2B/TR2	AlGaInP	Yellow Green	575	573		2.00	2.40		800	1800	
	ZF-AR180PGC-1B/TR2	InGaIn	Pure Green	520	525		3.20	3.60		1500	3000	
	ZF-AR180BC-B1B/TR2	InGaIn	Blue	468	470		3.20	3.60		500	1000	
	ZF-AR180W-W2-	InGaIn	Cool White	x=0.31	y=0.32		Yellow Diffused	3.20		3.60	150	

2.15mmx2.40mmx2.75mm Subminiature Axial Chip LED

	ZF-AR180VC-2B/TR5	AlGaInP	Super Bright Red	632	624	Water Clear	2.00	2.40	20	1000	2000	25
	ZF-AR180AC-2B/TR5	AlGaInP	Super Bright Orange	610	605		2.00	2.40		800	1800	
	ZF-AR180YC-2B/TR5	AlGaInP	Super Bright Yellow	592	590		2.00	2.40		1000	2000	
	ZF-AR180GC-2B/TR5	AlGaInP	Yellow Green	575	573		2.00	2.40		800	1800	
	ZF-AR180PGC-1B/TR5	InGaIn	Pure Green	520	525		3.20	3.60		1500	3000	
	ZF-AR180BC-B1B/TR5	InGaIn	Blue	468	470		3.20	3.60		500	1000	
	ZF-AR180W-W2-1C/TR5	InGaIn	Cool White	x=0.31	y=0.32		Yellow Diffused	3.20		3.60	150	

1. All dimensions are in millimeters (inches).
2. Tolerance is $\pm 0.25\text{mm}$ (.010") unless otherwise noted.
3. Specifications are subject to change without notice

Part Number	Chip Material	Emitting Color	λ_p (nm) / x	λ_d (nm) / y	Lens Color	VF (V)		IV (mcd)			Viewing Angle
						Typ.	Max.	IF=mA	Min.	Typ.	2 θ 1/2

3mm Circuit Board Indicator / Single Level CBI

	H30C-1VD	AlGaInP	Super Bright Red	632	624	Red Diffused	2.00	2.40	20	160	270	80
	H30C-1AD	AlGaInP	Super Bright Orange	610	605	Orange Diffused	2.00	2.40		90	160	
	H30C-1YD	AlGaInP	Super Bright Yellow	592	590	Yellow Diffused	2.00	2.40		90	160	
	H30C-1GD	AlGaInP/GaAs	Super Yellow Green	573	571	Green Diffused	2.00	2.40		90	160	
H30C-1BD	InGaN	Blue	468	470	Blue Diffused	3.20	3.60	460		780	60	


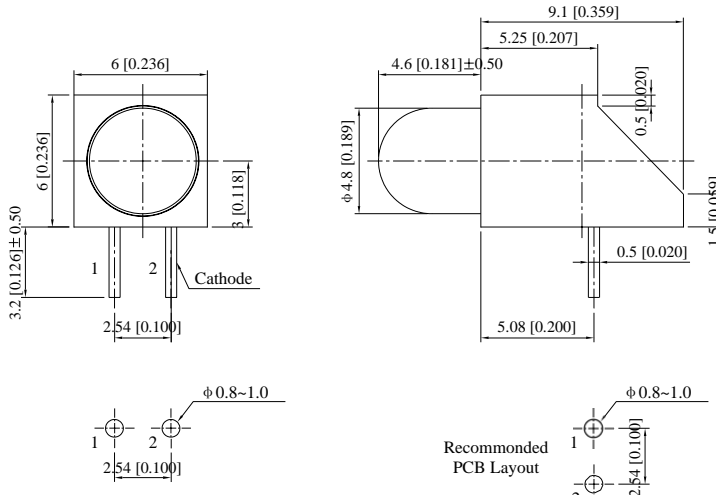

3mm Circuit Board Indicator / Single Level CBI

	H30E-1VD	AlGaInP	Super Bright Red	632	624	Red Diffused	2.00	2.40	20	160	270	80
	H30E-1AD	AlGaInP	Super Bright Orange	610	605	Orange Diffused	2.00	2.40		90	160	
	H30E-1YD	AlGaInP	Super Bright Yellow	592	590	Yellow Diffused	2.00	2.40		90	160	
	H30E-1GD	AlGaInP/GaAs	Super Yellow Green	573	571	Green Diffused	2.00	2.40		90	160	
H30E-1BD	InGaN	Blue	468	470	Blue Diffused	3.20	3.60	460		780	60	


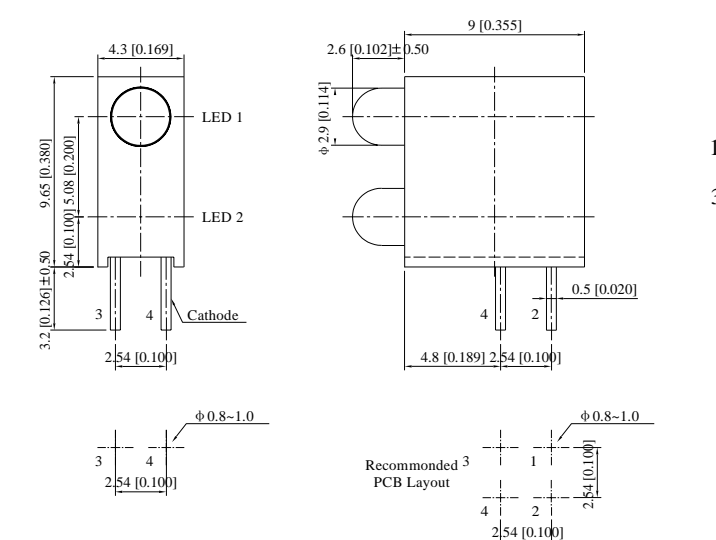
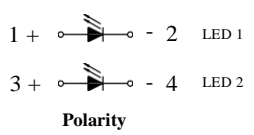
1. All dimensions are in millimeters (inches).
2. Tolerance is $\pm 0.25\text{mm}$ (.010") unless otherwise noted.
3. Specifications are subject to change without notice

Part Number	Chip Material	Emitting Color	λ_p (nm) / x	λ_d (nm) / y	Lens Color	VF (V)		IV (mcd)			Viewing Angle
						Typ.	Max.	IF=mA	Min.	Typ.	2θ 1/2

5mm Circuit Board Indicator / Single Level CBI

													
	H50C-1VD	AlGaInP	Super Bright Red	632	624	Red Diffused	2.00	2.40	20	160	270		60
	H50C-1AD	AlGaInP	Super Bright Orange	610	605	Orange Diffused	2.00	2.40		70	120		
	H50C-1YD	AlGaInP	Super Bright Yellow	592	590	Yellow Diffused	2.00	2.40		120	210		
	H50C-1GD	AlGaInP/GaAs	Super Yellow Green	573	571	Green Diffused	2.00	2.40		20	45		
	H50C-1BD	InGaN	Blue	468	470	Blue Diffused	3.20	3.60		350	600		

3mm Circuit Board Indicator / Bi-Level CBI

													
	H30F-2VD-RS	AlGaInP	Super Bright Red	632	624	Red Diffused	2.00	2.40	20	160	270		80
	H30F-2AD-RS	AlGaInP	Super Bright Orange	610	605	Orange Diffused	2.00	2.40		90	160		
	H30F-2YD-RS	AlGaInP	Super Bright Yellow	592	590	Yellow Diffused	2.00	2.40		90	160		
	H30F-2GD-RS	AlGaInP/GaAs	Super Yellow Green	573	571	Green Diffused	2.00	2.40		90	160		
	H30F-2BD-RS	InGaN	Blue	468	470	Blue Diffused	3.20	3.60		460	780		

- All dimensions are in millimeters (inches).
- Tolerance is $\pm 0.25\text{mm}$ (.010") unless otherwise noted.
- Specifications are subject to change without notice

Part Number	Chip Material	Emitting Color	λ_p (nm) / x	λ_d (nm) / y	Lens Color	VF (V)		IV (mcd)			Viewing Angle
						Typ.	Max.	IF=mA	Min.	Typ.	2 θ 1/2

5mm Circuit Board Indicator / Bi-Level CBI

	H50F-2VD-RS	AlGaInP	Super Bright Red	632	624	Red Diffused	2.00	2.40	20	210	350	60
	H50F-2AD-RS	AlGaInP	Super Bright Orange	610	605	Orange Diffused	2.00	2.40		90	160	
	H50F-2YD-RS	AlGaInP	Super Bright Yellow	592	590	Yellow Diffused	2.00	2.40		210	350	
	H50F-2GD-RS	AlGaInP/GaAs	Super Yellow Green	573	571	Green Diffused	2.00	2.40		70	120	
	H50F-2BD-RS	InGaN	Blue	468	470	Blue Diffused	3.20	3.60		350	600	

3mm Circuit Board Indicator / Tri-Level CBI

	H30D-3VD-RS	AlGaInP	Super Bright Red	632	624	Red Diffused	2.00	2.40	20	160	270	80
	H30D-3AD-RS	AlGaInP	Super Bright Orange	610	605	Orange Diffused	2.00	2.40		90	160	
	H30D-3YD-RS	AlGaInP	Super Bright Yellow	592	590	Yellow Diffused	2.00	2.40		90	160	
	H30D-3GD-RS	AlGaInP/GaAs	Super Yellow Green	573	571	Green Diffused	2.00	2.40		90	160	
	H30D-3BD-RS	InGaN	Blue	468	470	Blue Diffused	3.20	3.60		460	780	

- All dimensions are in millimeters (inches).
- Tolerance is $\pm 0.25\text{mm}$ (.010") unless otherwise noted.
- Specifications are subject to change without notice

Part Number	Chip Material	Emitting Color	λ_p (nm) / x	λ_d (nm) / y	Lens Color	VF (V)		IV (mcd)			Viewing Angle
						Typ.	Max.	IF=mA	Min.	Typ.	2 θ 1/2

3mm Circuit Board Indicator / Quad-Level CBI

	H30D-4VD-RS	AlGaInP	Super Bright Red	632	624	Red Diffused	2.00	2.40	20	160	270	80
	H30D-4AD-RS	AlGaInP	Super Bright Orange	610	605	Orange Diffused	2.00	2.40		90	160	
	H30D-4YD-RS	AlGaInP	Super Bright Yellow	592	590	Yellow Diffused	2.00	2.40		90	160	
	H30D-4GD-RS	AlGaInP/GaAs	Super Yellow Green	573	571	Green Diffused	2.00	2.40		90	160	
	H30D-4BD-RS	InGaN	Blue	468	470	Blue Diffused	3.20	3.60		460	780	

2x3mm Rectangular LED Circuit Board Indicator / Quad-Level Right Angle CBI

	H23K-4VD	AlGaInP	Super Bright Red	632	624	Red Diffused	2.00	2.40	20	70	120	130
	H23K-4AD	AlGaInP	Super Bright Orange	610	605	Orange Diffused	2.00	2.40		45	90	
	H23K-4YD	AlGaInP	Super Bright Yellow	592	590	Yellow Diffused	2.00	2.40		30	70	
	H23K-4GD	AlGaInP/GaAs	Super Yellow Green	573	571	Green Diffused	2.00	2.40		20	45	

- All dimensions are in millimeters (inches).
- Tolerance is $\pm 0.25\text{mm}$ (.010") unless otherwise noted.
- Specifications are subject to change without notice

Part Number	Chip Material	Emitting Color	λ_p (nm) / x	λ_d (nm) / y	Lens Color	VF (V)		IV (mcd)			Viewing Angle
						Typ.	Max.	IF=mA	Min.	Typ.	2θ 1/2

2x5mm Rectangular LED Circuit Board Indicator / Tri-Block CBI

	H23CB-3VD	AlGaInP	Super Bright Red	632	624	Red Diffused	2.00	2.40	20	9	20	180
	H23CB-3AD	AlGaInP	Super Bright Orange	610	605	Orange Diffused	2.00	2.40		13	30	
	H23CB-3YD	AlGaInP	Super Bright Yellow	592	590	Yellow Diffused	2.00	2.40		9	20	
	H23CB-3GD	AlGaInP/GaAs	Super Yellow Green	573	571	Green Diffused	2.00	2.40		1	3	

2x5mm Rectangular LED Circuit Board Indicator / Multiple Block CBI

	H23CB-4VD	AlGaInP	Super Bright Red	632	624	Red Diffused	2.00	2.40	20	9	20	180
	H23CB-4AD	AlGaInP	Super Bright Orange	610	605	Orange Diffused	2.00	2.40		13	30	
	H23CB-4YD	AlGaInP	Super Bright Yellow	592	590	Yellow Diffused	2.00	2.40		9	20	
	H23CB-4GD	AlGaInP/GaAs	Super Yellow Green	573	571	Green Diffused	2.00	2.40		1	3	

1. All dimensions are in millimeters (inches).
2. Tolerance is $\pm 0.25\text{mm}$ (.010") unless otherwise noted.
3. Specifications are subject to change without notice

Part Number	Chip Material	Emitting Color	λ_p (nm) / x	λ_d (nm) / y	Lens Color	VF (V)		IV (mcd)			Viewing Angle
						Typ.	Max.	IF=mA	Min.	Typ.	2θ 1/2

2x5mm Rectangular LED Circuit Board Indicator / Multiple Block CBI

	H23CB-5VD	AlGaInP	Super Bright Red	632	624	Red Diffused	2.00	2.40	20	9	20	180
	H23CB-5AD	AlGaInP	Super Bright Orange	610	605	Orange Diffused	2.00	2.40		13	30	
	H23CB-5YD	AlGaInP	Super Bright Yellow	592	590	Yellow Diffused	2.00	2.40		9	20	
	H23CB-5GD	AlGaInP/GaAs	Super Yellow Green	573	571	Green Diffused	2.00	2.40		1	3	


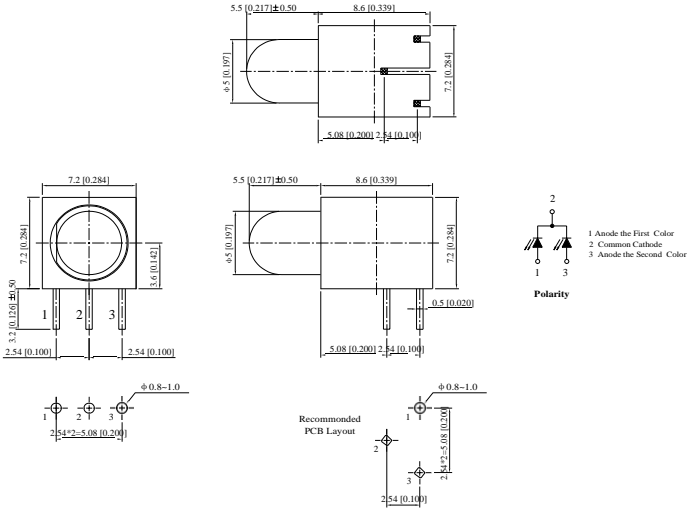
3mm Bi-Color Circuit Board Indicator / Single Level CBI

	H30WD-1VGM	AlGaInP	Super Bright Red	632	624	White Diffused	2.00	2.40	20	110	260	80
		AlGaInP/GaAs	Super Yellow Green	573	571		45	110				
	H30WD-1VYM	AlGaInP	Super Bright Red	632	624		70	170				
		AlGaInP	Super Bright Yellow	592	590		45	110				
H30WD-1GYM	AlGaInP/GaAs	Super Yellow Green	573	571	30		70					
	AlGaInP	Super Bright Yellow	592	590	70	170						

- All dimensions are in millimeters (inches).
- Tolerance is $\pm 0.25\text{mm}$ (.010") unless otherwise noted.
- Specifications are subject to change without notice

Part Number	Chip Material	Emitting Color	λ_p (nm) / x	λ_d (nm) / y	Lens Color	VF (V)		IV (mcd)			Viewing Angle
						Typ.	Max.	IF=mA	Min.	Typ.	2 θ 1/2

5mm Bi-Color Circuit Board Indicator / Single Level CBI

											
		H50E-1VGM	AlGaInP	Super Bright Red	632	624	White Diffused	2.00	2.40	20	110
	AlGaInP/GaAs	Super Yellow Green	573	571	2.00	2.40		30	70		
H50E-1VYM	AlGaInP	Super Bright Red	632	624	2.00	2.40		110	260		
	AlGaInP	Super Bright Yellow	592	590	2.00	2.40		110	260		
H50E-1GYM	AlGaInP/GaAs	Super Yellow Green	573	571	2.00	2.40		45	110		
	AlGaInP	Super Bright Yellow	592	590	2.00	2.40		170	390		



About Queendom Electronics Co., Ltd.

Queendom Electronics Co., Ltd. inspires the world and shapes the future with transformative ideas and technologies.

To discover more, please visit our official website at www.china66.net

Copyright © 2022 Queendom Electronics Co., Ltd. All rights reserved. Queendom is a registered trademark of Queendom Electronics Co., Ltd. Specifications and designs are subject to change without notice. Non-metric weights and measurements are approximate. All data were deemed correct at time of creation. Queendom is not liable for errors or omissions. All brand, product, service names and logos are trademarks and/or registered trademarks of their respective owners and are hereby recognized and acknowledged.

Data subject to change. Copyright © 2005-2012 Queendom Technologies. All rights reserved.

www.china66.net

1. All dimensions are in millimeters (inches).
2. Tolerance is $\pm 0.25\text{mm}$ (.010") unless otherwise noted.
3. Specifications are subject to change without notice