

INDEX

Lighting LED

High Power LED.....	P1-2
Mid Power LED.....	P2-3
Mid/High Power LED (Color).....	P4-5
COB LED.....	P6

Queendom Group Technology Co., Ltd.

No. 39, Wanjiang Section, Wanjiang Street, Dongguan Street, Guangdong, China.

Postcode 523800

<http://www.china66.net> E-mail: as@china66.net

Part Number	Chip Material	Emitting Color	λ_p (nm) / x	λ_d (nm) / y	Lens Color	VF (V)		Φ_V (lm)			Viewing Angle
						Typ.	Max.	IF=mA	Min.	Typ.	2θ 1/2

1W High Power LED

	ZF-PW3CD-D	InGaN	Cool White	x=0.31	y=0.32	Yellow Diffused	3.40	3.80	350	80	120	135
	ZF-PW3CD-C	InGaN	Neutral White	x=0.35	y=0.36		3.40	3.80		80	110	
	ZF-PW3CD-A	InGaN	Warm White	x=0.43	y=0.40		3.40	3.80		80	110	

3W High Power LED

	ZF-PW3CD3-D	InGaN	Cool White	x=0.31	y=0.32	Yellow Diffused	3.40	3.80	700	180	210	135
	ZF-PW3CD3-C	InGaN	Neutral White	x=0.35	y=0.36		3.40	3.80		180	210	
	ZF-PW3CD3-A	InGaN	Warm White	x=0.43	y=0.40		3.40	3.80		180	210	

EMC Top View 1W High Power LED

	ZFS3030EWD-D RA80	InGaN	Cool White	x=0.31	y=0.32	Yellow Diffused	3.20	3.80	350	100	120	120
	ZFS3030EWD-C RA80	InGaN	Neutral White	x=0.35	y=0.36		3.20	3.80		100	120	
	ZF-S3030EWD-A-RA80	InGaN	Warm White	x=0.43	y=0.40		3.20	3.80		100	120	

1, 3W High Power Mini LED

	ZF-S1616WD-D	InGaN	Cool White	x=0.31	y=0.33	Yellow Diffused	3.20	3.80	350	100	125
								700	160	220	

- All dimensions are in millimeters (inches).
- Tolerance is $\pm 0.10\text{mm}$ (.004") unless otherwise noted.
- Specifications are subject to change without notice.

Part Number	Chip Material	Emitting Color	λ_p (nm) / x	λ_d (nm) / y	Lens Color	VF (V)		Φ_V (lm)			Viewing Angle 2 θ 1/2
						Typ.	Max.	IF=mA	Min.	Typ.	

1W, 3W High Power LED

	ZF-S3535WD-D	InGaN	Cool White	x=0.31	y=0.32	Yellow Diffused	3.20	3.80	350	100	130	120
	ZF-S3535WD-C	InGaN	Neutral White	x=0.37	y=0.37		3.20	3.80	350	100	125	
	ZF-S3535WD-A	InGaN	Warm White	x=0.43	y=0.40		3.20	3.80	350	100	120	
								700	200	220		

4W High Power Flash LED

	ZF-S2016WD4-C	InGaN	Pure White	x=0.31	y=0.32	Yellow Diffused	3.40	3.80	1000	220	240

PLCC-2 Top View 0.2W Mid-power LED

	ZF-S3014WB-D	InGaN	Cool White	x=0.31	y=0.32	Yellow Diffused	3.20	3.60	30	10.00	12.50	120
	ZF-S3014WB-C	InGaN	Neutral White	x=0.35	y=0.36		3.20	3.60		10.00	12.00	
	ZF-S3014WB-A	InGaN	Warm White	x=0.43	y=0.40		3.20	3.60		10.00	12.00	


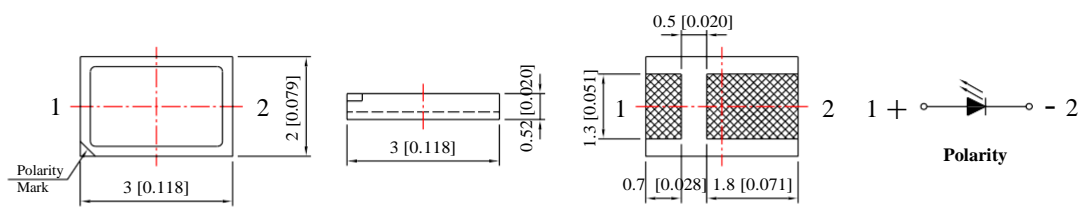
3.50mmx2.80mmx0.80mm PLCC-2 Top View 0.2W Mid-power LED

	ZF-S3528WB-D	InGaN	Cool White	x=0.32	y=0.33	Yellow Diffused	3.20	3.60	60	20	24	120
	ZF-S3528WB-C	InGaN	Neutral White	x=0.37	y=0.37		3.20	3.60		20	24	
	ZF-S3528WB-A	InGaN	Warm White	x=0.43	y=0.40		3.20	3.60		20	23	

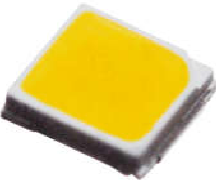
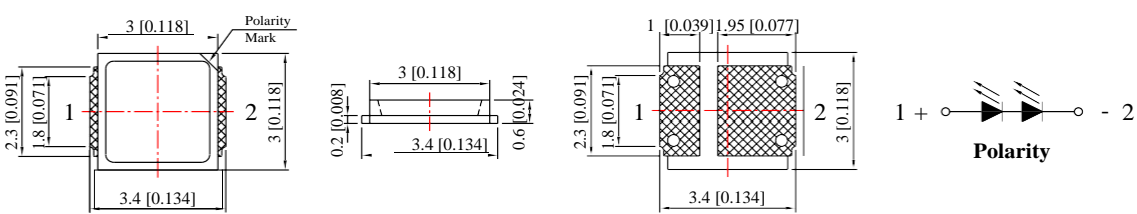
1. All dimensions are in millimeters (inches).
2. Tolerance is $\pm 0.10\text{mm}$ (.004") unless otherwise noted.
3. Specifications are subject to change without notice.

Part Number	Chip Material	Emitting Color	λ_p (nm) / x	λ_d (nm) / y	Lens Color	VF (V)		Φ_V (lm)			Viewing Angle
						Typ.	Max.	IF=mA	Min.	Typ.	2θ 1/2


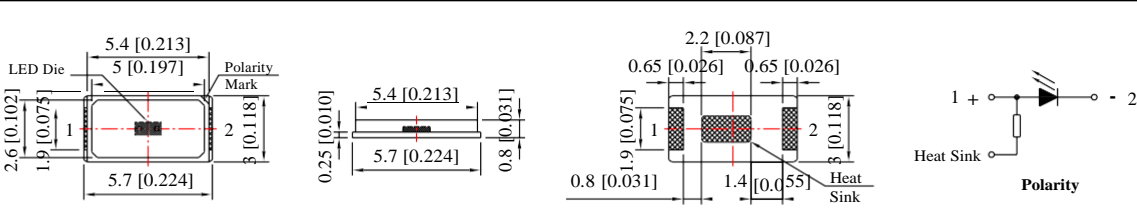
EMC Top View 0.5W Mid-power LED

												
	ZF-S3020WC-D	InGaN	Cool White	x=0.31	y=0.32	Yellow Diffused	3.20	3.60	150	62	64	120
	ZF-S3020WC-C	InGaN	Neutral White	x=0.35	y=0.36		3.20	3.60		62	64	
	ZF-S3020WC-A	InGaN	Warm White	x=0.43	y=0.40		3.20	3.60		54	58	


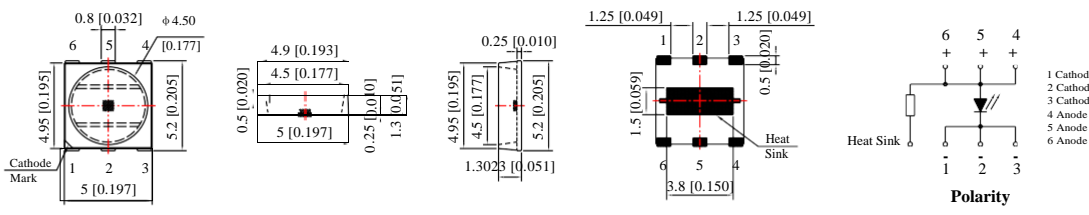
EMC Top View 0.5W Mid-power LED

												
	ZF-S3030WC-D	InGaN	Cool White	x=0.31	y=0.32	Yellow Diffused	6.00	6.80	150	100	120	120
	ZF-S3030WC-C	InGaN	Neutral White	x=0.35	y=0.36		6.00	6.80		100	120	
	ZF-S3030WC-A	InGaN	Warm White	x=0.43	y=0.40		6.00	6.80		100	120	

PLCC-2 Top View 0.5W Mid-power LED

												
	ZF-S5730WC-D	InGaN	Cool White	x=0.31	y=0.32	Yellow Diffused	3.20	3.60	150	50	60	120
	ZF-S5730WC-C	InGaN	Neutral White	x=0.37	y=0.37		3.20	3.60		50	60	
	ZF-S5730WC-A	InGaN	Warm White	x=0.43	y=0.40		3.20	3.60		50	60	

PLCC-6 Top View 0.5W Mid-power LED

												
	ZF-S5050WC-D-6	InGaN	Cool White	x=0.31	y=0.32	Yellow Diffused	3.20	3.60	150	50	60	120
	ZF-S5050WC-C-6	InGaN	Neutral White	x=0.37	y=0.37		3.20	3.60		50	60	
	ZF-S5050WC-A-6	InGaN	Warm White	x=0.43	y=0.40		3.20	3.60		45	60	

1. All dimensions are in millimeters (inches).
2. Tolerance is $\pm 0.10\text{mm}$ (.004") unless otherwise noted.
3. Specifications are subject to change without notice.

Part Number	Chip Material	Emitting Color	λ_p (nm) / x	λ_d (nm) / y	Lens Color	VF (V)		Φ_V (lm)			Viewing Angle
						Typ.	Max.	IF=mA	Min.	Typ.	20 1/2

1W High Power LED

	ZF-PR3CD1	AlGaInP	Super Bright Red	632	624	Water Clear	2.20	2.60	350	35	45	135
	ZF-PY3CD1	AlGaInP	Super Bright Yellow	592	590		2.20	2.60		35	45	
	ZF-PG3CD1	InGaN	Pure Green	520	525		3.40	3.80		60	75	
	ZF-PB3CD1	InGaN	Blue	468	470		3.40	3.80		15	25	

3W High Power LED

	ZF-PR3CD3	AlGaInP	Super Bright Red	632	624	Water Clear	2.20	3.00	700	60	70	135
	ZF-PB3CD3	InGaN	Blue	468	470		3.40	3.80		25	35	

1W High Power LED

	ZF-PRGB3CD1	AlGaInP	Super Bright Red	632	624	Water Clear	2.00	2.60	350	34	45	140
		InGaN	Pure Green	520	525		3.40	3.80		60	80	
		InGaN	Blue	468	470		3.40	3.80		16	20	

1. All dimensions are in millimeters (inches).
2. Tolerance is $\pm 0.10\text{mm}$ (.004") unless otherwise noted.
3. Specifications are subject to change without notice.

Part Number	Chip Material	Emitting Color	λ_p (nm) / x	λ_d (nm) / y	Lens Color	VF (V)		IV (mcd) / Φ_V (lm)			Viewing Angle
						Typ.	Max.	IF=mA	Min.	Typ.	2 θ 1/2

3.50mmx2.80mmx0.80mm PLCC-2 Top View 0.2W Mid-power LED

	ZF-S2835FRB	GaP	Far Red	730	/	Water Clear	2.10	2.40	60	10mW	30mW	120
	ZF-S2835PRB	GaP	Plant Red	670	660		2.10	2.40		35mW	55mW	
	ZF-S2835BB	InGaN	Blue	450	455		3.20	3.60		1000	1500	
	ZF-S2835UVAB	InGaN	UV	415	440		3.20	3.60		50	100	

EMC Top View 1W High Power LED

	ZF-S3030EDRD	AlGaInP	Deep Red	660	640	Water Clear	2.10	2.40	350	10	15
ZF-S3030EBD	InGaN	Blue	450	455	3.20		3.80	15		20	


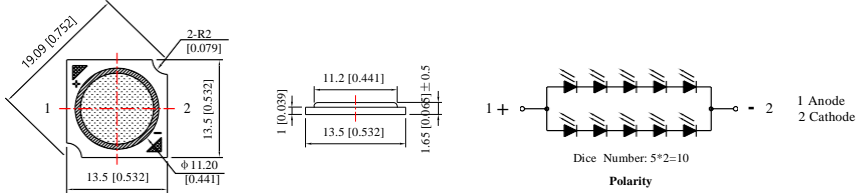
1W High Power LED

	ZF-S3535RD	AlGaInP	Super Bright Red	632	624	Water Clear	2.20	2.60	350	40	50	120
	ZF-S3535YD	AlGaInP	Super Bright Yellow	592	590		2.20	2.60		40	50	
	ZF-S3535PGD	InGaN	Pure Green	520	525		3.20	3.60		65	85	
	ZF-S3535BD	InGaN	Blue	468	470		3.20	3.60		15	25	
	ZF-S3535UVAD	InGaN	UV	395	425		3.40	3.80		335	500	


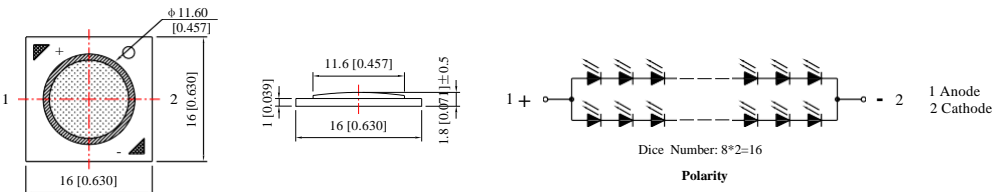
- All dimensions are in millimeters (inches).
- Tolerance is $\pm 0.10\text{mm}$ (.004") unless otherwise noted.
- Specifications are subject to change without notice.

Part Number	Chip Material	Emitting Color	λ_p (nm) / x	λ_d (nm) / y	Lens Color	VF (V)		Φ_V (lm)			Viewing Angle
						Typ.	Max.	IF=mA	Min.	Typ.	2 θ 1/2


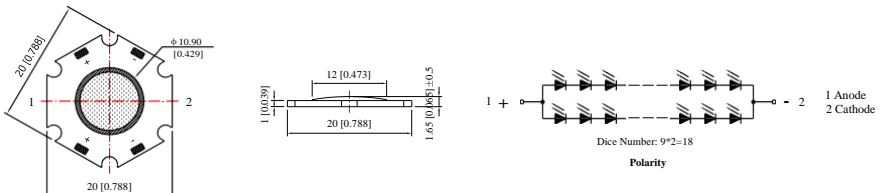
5W COB High Power LED

											
ZF-COB3535WD5-D	InGaN	Cool White	x=0.32	y=0.33	Yellow Diffused	16.50	19.00	320	500	600	120
ZF-COB3535WD5-C	InGaN	Neutral White	x=0.37	y=0.37		16.50	19.00		500	600	
ZF-COB3535WD5-A	InGaN	Warm White	x=0.43	y=0.40		16.50	19.00		500	550	


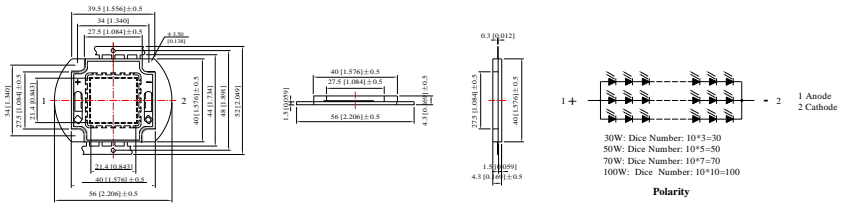
8W COB High Power LED

											
ZF-COB1616WD8-D	InGaN	Cool White	x=0.32	y=0.33	Yellow Diffused	26.00	28.00	320	850	950	120
ZF-COB1616WD8-C	InGaN	Neutral White	x=0.37	y=0.37		26.00	28.00		850	900	
ZF-COB1616WD8-A	InGaN	Warm White	x=0.43	y=0.40		26.00	28.00		800	850	

9W COB High Power LED

											
ZF-COB20WD9-D	InGaN	Cool White	x=0.32	y=0.33	Yellow Diffused	27.00	30.60	320	950	1050	120
ZF-COB20WD9-C	InGaN	Neutral White	x=0.37	y=0.37		27.00	30.60		950	1000	
ZF-COB20WD9-A	InGaN	Warm White	x=0.43	y=0.40		27.00	30.60		900	950	

30W, 50W, 70W, 100W COB High Power LED

											
ZF-COB5640WD30-D	InGaN	Cool White	x=0.31	y=0.32		34.00	38.00	1050	3000	3400	140
ZF-COB5640WD50-D	InGaN	Cool White	x=0.31	y=0.32		34.00	38.00	1750	5000	5500	
ZF-COB5640WD80-D											
ZF-COB5640WD100-D											

- All dimensions are in millimeters (inches).
- Tolerance is $\pm 0.25\text{mm}$ (.010") unless otherwise noted.
- Specifications are subject to change without notice.



QUEENDOM

About Queendom Electronics Co., Ltd.

Queendom Electronics Co., Ltd. inspires the world and shapes the future with transformative ideas and technologies.

To discover more, please visit our official website at www.china66.net

Copyright © 2022 Queendom Electronics Co., Ltd. All rights reserved. Queendom is a registered trademark of Queendom Electronics Co., Ltd. Specifications and designs are subject to change without notice. Non-metric weights and measurements are approximate. All data were deemed correct at time of creation. Queendom is not liable for errors or omissions. All brand, product, service names and logos are trademarks and/or registered trademarks of their respective owners and are hereby recognized and acknowledged.

Data subject to change. Copyright © 2005-2012 Queendom Technologies. All rights reserved.

www.china66.net

-
1. All dimensions are in millimeters (inches).
 2. Tolerance is $\pm 0.25\text{mm}$ (.010") unless otherwise noted.
 3. Specifications are subject to change without notice.