

**Attachment 3: Physical reference, accessories, installation**



Option 1: Picture

Option 2: Picture



**Accessories**



Power cord



Daisy Chain Cable



Screws



Screw cap

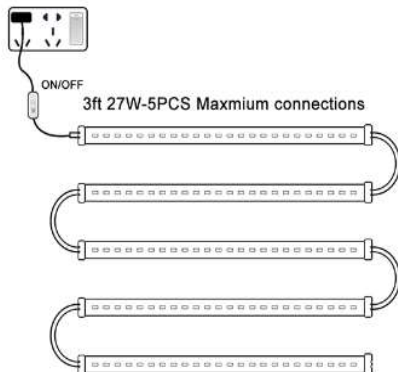
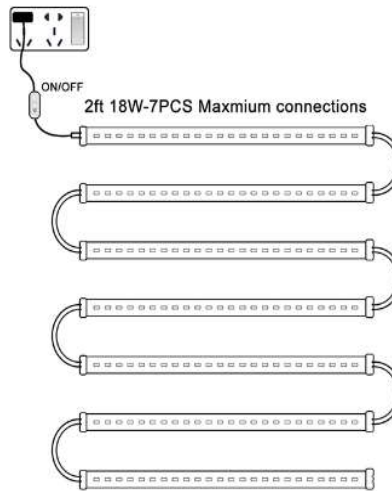
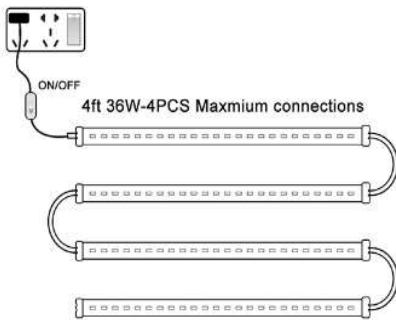


Connector



Clamp

**Daisy chain installation suggestions :**



**Different plugs for options**

